



MONACO®

DRIVING YOUR DREAM.

CAYMAN® XL

 | 08





**MONACO®**

DRIVING YOUR DREAM.

CAYMAN® XL

 | **08**



## CAYMAN<sup>®</sup> XL

CAYMAN XL: YOUR ISLAND PARADISE.

If you've always wanted to visit a luxurious island paradise, here's your chance. Escape to the 2008 Cayman XL. It's the perfect vacation getaway — complete with a new 26" LCD television, topnotch furnishings and appliances, a new central water filtration system, and on and on. So grab your sunglasses and pack your bags. Your island paradise is calling.

**KITCHEN.** Need help in the kitchen? The Cayman XL makes cooking easy with a versatile convection microwave, a sealed-burner cooktop with removable range covers, and a large double-door refrigerator with ice maker. Cleanup is easy, too, thanks to the solid countertops and beautiful new backsplash.

**BEDROOM.** When you're ready to relax, this is the place to be. Note the roomy queen bed, new 20" LCD TV, upgraded nightstands, blackout day/night shades...and say, isn't that crown molding?



### WHAT'S NEW FOR '08.

- Automatic Traction Control (ATC)
- 26" LCD TV in living room
- 20" LCD TV in bedroom
- Upgraded dinette and nightstand countertops
- Redesigned kitchen backsplash
- Upgraded laminate tile flooring
- Central water filtration system
- Now standard: Automatic patio awning, chrome head exterior mirrors, air horns, 3M film front mask, full-length mud flap



## CAYMAN® XL

CAYMAN XL: YOUR ISLAND PARADISE.

If you've always wanted to visit a luxurious island paradise, here's your chance. Escape to the 2008 Cayman XL. It's the perfect vacation getaway — complete with a new 26" LCD television, topnotch furnishings and appliances, a new central water filtration system, and on and on. So grab your sunglasses and pack your bags. Your island paradise is calling.

**KITCHEN.** Need help in the kitchen? The Cayman XL makes cooking easy with a versatile convection microwave, a sealed-burner cooktop with removable range covers, and a large double-door refrigerator with ice maker. Cleanup is easy, too, thanks to the solid countertops and beautiful new backsplash.

**BEDROOM.** When you're ready to relax, this is the place to be. Note the roomy queen bed, new 20" LCD TV, upgraded nightstands, blackout day/night shades...and say, isn't that crown molding?



### WHAT'S NEW FOR '08.

- Automatic Traction Control (ATC)
- 26" LCD TV in living room
- 20" LCD TV in bedroom
- Upgraded dinette and nightstand countertops
- Redesigned kitchen backsplash
- Upgraded laminate tile flooring
- Central water filtration system
- Now standard: Automatic patio awning, chrome head exterior mirrors, air horns, 3M film front mask, full-length mud flap



LUXURY. INNOVATION. HAPPY TRAVELERS. IT ALL SAYS MONACO.

INTERIOR



Wherever you travel across America, it's easy to spot the Monaco owners. They're the ones with the smug, happy grins on their faces. And who could blame them? When you own a Monaco, you own the best. The best in luxury, performance, safety, technology and comfort. It's all here. And it's all yours for the taking. Come on, freedom lovers. Make your move to Monaco luxury. After all, you already know how to grin.



DEVONSHIRE  
NATURAL CHERRY  
35SBD

LUXURY. INNOVATION. HAPPY TRAVELERS. IT ALL SAYS MONACO.

INTERIOR



Wherever you travel across America, it's easy to spot the Monaco owners. They're the ones with the smug, happy grins on their faces. And who could blame them? When you own a Monaco, you own the best. The best in luxury, performance, safety, technology and comfort. It's all here. And it's all yours for the taking. Come on, freedom lovers. Make your move to Monaco luxury. After all, you already know how to grin.



DEVONSHIRE

NATURAL CHERRY

35SBD



PARADISE FOUND.

 PANAVIEW™

1-PIECE WINDSHIELD





PARADISE FOUND.

 PANAVIEW™

1-PIECE WINDSHIELD







No matter where you're headed next, this much is certain. You've found a beautiful coach to take you there. The Cayman XL makes every journey an absolute joy. With a plush leatherette helm seat featuring six-way power. New Automatic Traction Control for added safety when turning. And a new 18" four-spoke steering wheel that tilts and telescopes.

Of course, all the requisite luxuries are here, too – cruise control, power sunvisors, air horns, a CD player/radio with weather band and six speakers. There's even a long list of high-end options like GPS navigation and Sirius satellite radio. Who knew paradise was so easy to find?

**NO SEAMS. ADDED SAFETY.** With our exclusive Panaview™ 1-Piece Windshield, you get a clear view of the world ahead. There's no annoying black rubber seam running down the middle of the windshield. It's the largest unobstructed view in the industry.

**COCKPIT.** When you need a little R&R, there's nothing like a comfy recliner. Or two. Check out the Cayman XL's luscious leatherette offerings. We've also upgraded the television to a 26" LCD model. Movie, anyone? A DVD player comes standard.

**PASS-THROUGH STORAGE.** Underneath, you'll find plenty of cargo space, including large pass-through compartments like the one shown below. All storage bays are made of one-piece polyethylene for easy wash-downs.



3458D | NATURAL CHERRY | DEVONSHIRE





35SBD | NATURAL CHERRY | DEVONSHIRE

No matter where you're headed next, this much is certain. You've found a beautiful coach to take you there. The Cayman XL makes every journey an absolute joy. With a plush leatherette helm seat featuring six-way power. New Automatic Traction Control for added safety when turning. And a new 18" four-spoke steering wheel that tilts and telescopes.

Of course, all the requisite luxuries are here, too — cruise control, power sunvisors, air horns, a CD player/radio with weather band and six speakers. There's even a long list of high-end options like GPS navigation and Sirius satellite radio. Who knew paradise was so easy to find?

**NO SEAMS. ADDED SAFETY.** With our exclusive Panaview™ 1-Piece Windshield, you get a clear view of the world ahead. There's no annoying black rubber seam running down the middle of the windshield. It's the largest unobstructed view in the industry.

**COCKPIT.** When you need a little R&R, there's nothing like a comfy recliner. Or two. Check out the Cayman XL's luscious leatherette offerings. We've also upgraded the television to a 26" LCD model. Movie, anyone? A DVD player comes standard.

**PASS-THROUGH STORAGE.** Underneath, you'll find plenty of cargo space, including large pass-through compartments like the one shown below. All storage bays are made of one-piece polyethylene for easy wash-downs.





Cayman XL's rugged Cummins® ISB 340 HP engine with 660 lbs./ft. of torque.



### ROADMASTER RAISED RAIL RR4R CHASSIS

- 1** Stacked aluminum charged air cooler, aluminum radiator, and external aluminum transmission cooler for optimum heat transfer and cooling.
- 2** Allison® 2500 MH 6-Speed World Transmission and electronic shifter for smooth, even shifting and added horsepower and torque. Gross combined weight rating of 33,000 pounds for a solidly built coach.

- 3** Unique 5-degree rear axle tilt for perfect alignment of engine, transmission, and rear end to minimize drivetrain stress and noise.
- 4** Active suspension control system with four air bags and gas shock absorbers, with superior front-to-rear balance and sway reduction giving superb ride and handling.

- 5** Fully automatic hydraulic leveling system (3-point leveling system) to adjust coach level for passengers' ease in entry and exit.
- 6** Heavy-duty steel undercarriage and firewall provide strength and durability.
- 7** Electronically controlled exhaust braking system, with chrome exhaust tip for engine, provides smooth braking with four-wheel anti-lock braking system (ABS) with full air brakes (drum).

## MAY WE BUILD YOU A CHASSIS?

Did you know that every Roadmaster chassis is custom designed and built for the Monaco coach that will ride on it? It's a novel idea, but our owners seem to like it. And it pays off — in better performance, safety and reliability. Owners also like the fact that Roadmaster, a division of

Monaco Coach Corporation, only does one thing: They build chassis for motorhomes. Not trucks. Not buses. Just motorhomes. So naturally, they do it better. No wonder Roadmaster is the leading high-end diesel chassis manufacturer in America.



Cayman XL's rugged Cummins® ISB 340 HP engine with 660 lbs./ft. of torque.



### ROADMASTER RAISED RAIL RR4R CHASSIS

- 1** Stacked aluminum charged air cooler, aluminum radiator, and external aluminum transmission cooler for optimum heat transfer and cooling.
- 2** Allison® 2500 MH 6-Speed World Transmission and electronic shifter for smooth, even shifting and added horsepower and torque. Gross combined weight rating of 33,000 pounds for a solidly built coach.

- 3** Unique 5-degree rear axle tilt for perfect alignment of engine, transmission, and rear end to minimize drivetrain stress and noise.
- 4** Active suspension control system with four air bags and gas shock absorbers, with superior front-to-rear balance and sway reduction giving superb ride and handling.

- 5** Fully automatic hydraulic leveling system (3-point leveling system) to adjust coach level for passengers' ease in entry and exit.
- 6** Heavy-duty steel undercarriage and firewall provide strength and durability.
- 7** Electronically controlled exhaust braking system, with chrome exhaust tip for engine, provides smooth braking with four-wheel anti-lock braking system (ABS) with full air brakes (drum).

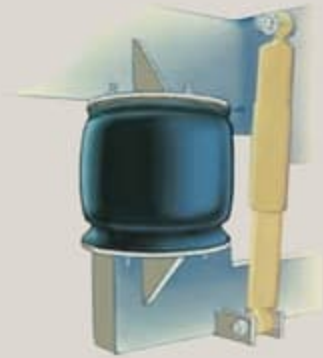
## MAY WE BUILD YOU A CHASSIS?

Did you know that every Roadmaster chassis is custom designed and built for the Monaco coach that will ride on it? It's a novel idea, but our owners seem to like it. And it pays off — in better performance, safety and reliability. Owners also like the fact that Roadmaster, a division of

Monaco Coach Corporation, only does one thing: They build chassis for motorhomes. Not trucks. Not buses. Just motorhomes. So naturally, they do it better. No wonder Roadmaster is the leading high-end diesel chassis manufacturer in America.

## AIR BAG SUSPENSION

The active suspension automatically adjusts the pressure of the air bags as you drive and virtually eliminates nosediving and the side-to-side body sway associated with high wind conditions, curvy roads and emergency maneuvers.



## WARRANTIES

12 MONTH/24,000 MILE basic limited warranty

5 YEAR/50,000 MILE limited warranty on aluminum or steel frame structure of sidewall, roof, front and rear cap

3 YEAR/50,000 MILE limited warranty on Roadmaster chassis

Applies to certain models. See owner's manual for complete details.

**8** Fuel tank capacity of 75 gallons and duel fuel fill for your driving and fill-up convenience.

**9** Radial tires (255/70R/22.5) let you drive with peace of mind.

**10** A 7,000 lb. newly designed hitch receiver with connector.

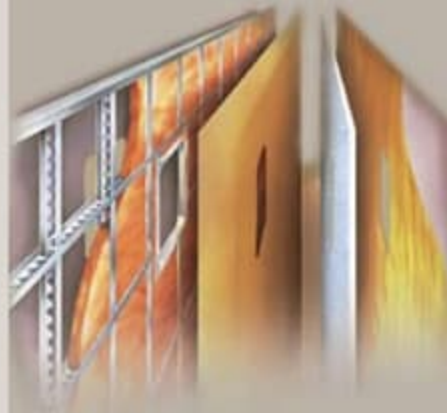
## CAYMAN® XL CONSTRUCTION



### 9-LAYER ROOF CONSTRUCTION:

(top to bottom)

- One-piece peaked fiberglass roof
- Luau backing
- Thick, tapered bead foam insulation
- Aluminum double I-beam superstructure filled with fiberglass insulation
- Vapor barrier
- Structure foam: thermal insulative barrier
- 1/2" bead foam insulation
- Foam padding for extra insulation
- Padded vinyl ceiling



### 5-LAYER SIDEWALL CONSTRUCTION:

(left to right)

- High-gloss gel coat fiberglass
- Interlocking C-Channel filled with 1-1/2" fiberglass insulation glued in place so it doesn't sag or leave spaces uninsulated
- Vapor barrier
- Bead foam saves energy and provides a thermal insulative barrier
- Interior paneling



### 4-LAYER FLOOR CONSTRUCTION:

(top to bottom)

- Structurwood™
- Blue foam insulation
- 1-1/2" aluminum tube
- Three-ply poly underbelly



ASSISTANCE

SALES • TECH • ROADSIDE

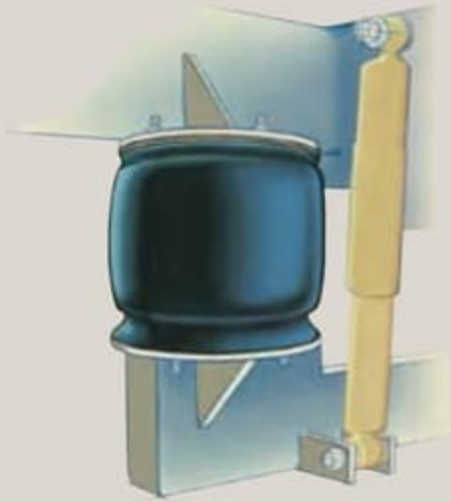
1-877-4MONACO

## WE'RE HERE. ANYTIME, EVERY TIME.

- Reach us anytime — literally — via our live customer support line.
- Drive in to one of our 350 Service Centers.
- Enjoy the first year free when you enroll in our Owner Advantage Roadside Assistance Program.
- See where it all begins with a tour of one of our facilities in Indiana or Oregon. Call 1-800-650-7337 or 1-800-634-0855 to find out more.

## AIR BAG SUSPENSION

The active suspension automatically adjusts the pressure of the air bags as you drive and virtually eliminates nosediving and the side-to-side body sway associated with high wind conditions, curvy roads and emergency maneuvers.



## WARRANTIES

12 MONTH/24,000 MILE basic limited warranty

5 YEAR/50,000 MILE limited warranty on aluminum or steel frame structure of sidewall, roof, front and rear cap

3 YEAR/50,000 MILE limited warranty on Roadmaster chassis

Applies to certain models. See owner's manual for complete details.

**8** Fuel tank capacity of 75 gallons and dual fuel fill for your driving and fill-up convenience.

**9** Radial tires (255/70R/22.5) let you drive with peace of mind.

**10** A 7,000 lb. newly designed hitch receiver with connector.

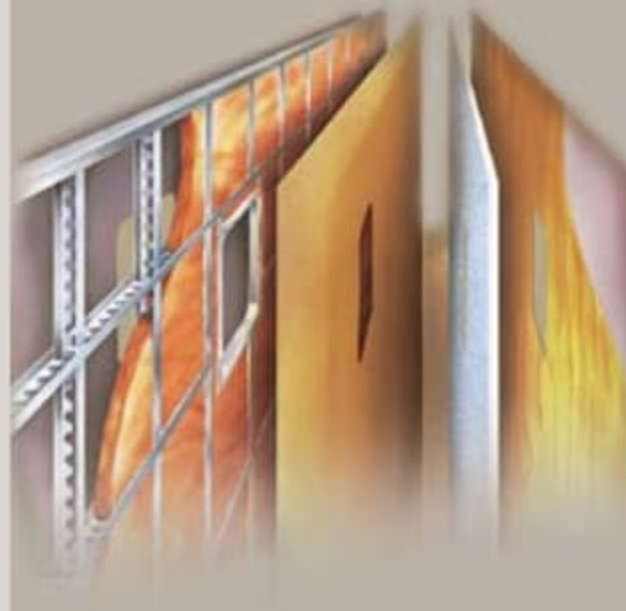
## CAYMAN® XL CONSTRUCTION



### 9-LAYER ROOF CONSTRUCTION:

(top to bottom)

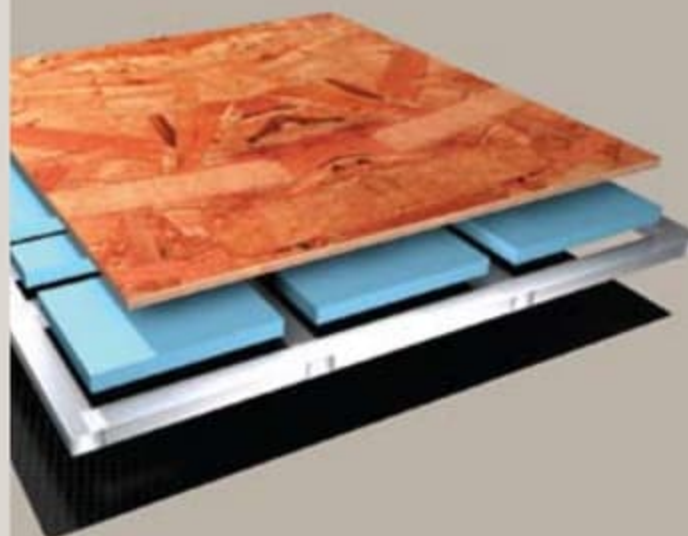
- One-piece peaked fiberglass roof
- Luaun backing
- Thick, tapered bead foam insulation
- Aluminum double I-beam superstructure filled with fiberglass insulation
- Vapor barrier
- Structure foam: thermal insulative barrier
- 1/2" bead foam insulation
- Foam padding for extra insulation
- Padded vinyl ceiling



### 5-LAYER SIDEWALL CONSTRUCTION:

(left to right)

- High-gloss gel coat fiberglass
- Interlocking C-Channel filled with 1-1/2" fiberglass insulation glued in place so it doesn't sag or leave spaces uninsulated
- Vapor barrier
- Bead foam saves energy and provides a thermal insulative barrier
- Interior paneling



### 4-LAYER FLOOR CONSTRUCTION:

(top to bottom)

- Structurwood™
- Blue foam insulation
- 1-1/2" aluminum tube
- Three-ply poly underbelly



**ASSISTANCE**

SALES • TECH • ROADSIDE

**1-877-4MONACO**

## WE'RE HERE. ANYTIME, EVERY TIME.

- Reach us anytime — literally — via our live customer support line.
- Drive in to one of our 350 Service Centers.
- Enjoy the first year free when you enroll in our Owner Advantage Roadside Assistance Program.
- See where it all begins with a tour of one of our facilities in Indiana or Oregon. Call 1-800-650-7337 or 1-800-634-0855 to find out more.



## DEVONSHIRE



## ISLAND STYLE



Note: Colors depicted are a reasonable representation though they may not be an exact match of the actual colors due to variances in processing and production. See your dealer for actual fabric and paint chip samples.



### DEVONSHIRE



### ISLAND STYLE



Note: Colors depicted are a reasonable representation though they may not be an exact match of the actual colors due to variances in processing and production. See your dealer for actual fabric and paint chip samples.





NEWPORT CHERRY



CHAMPAGNE SELECT



WHICH WAY WILL YOU GO?

We know you love choices. That's why our designers give you so many tempting options. From mild to wild, discriminating to daring, Monaco offers lots of fun ways to go.

VINTAGE MASTERS



- Carpet A
- Dinette B
- Sofa C
- Bedspread D

A	B	C	D



NEWPORT CHERRY



CHAMPAGNE SELECT



WHICH WAY WILL YOU GO?

We know you love choices. That's why our designers give you so many tempting options. From mild to wild, discriminating to daring, Monaco offers lots of fun ways to go.

VINTAGE MASTERS



- Carpet A
- Dinette B
- Sofa C
- Bedspread D

A	B	C	D



35SBD



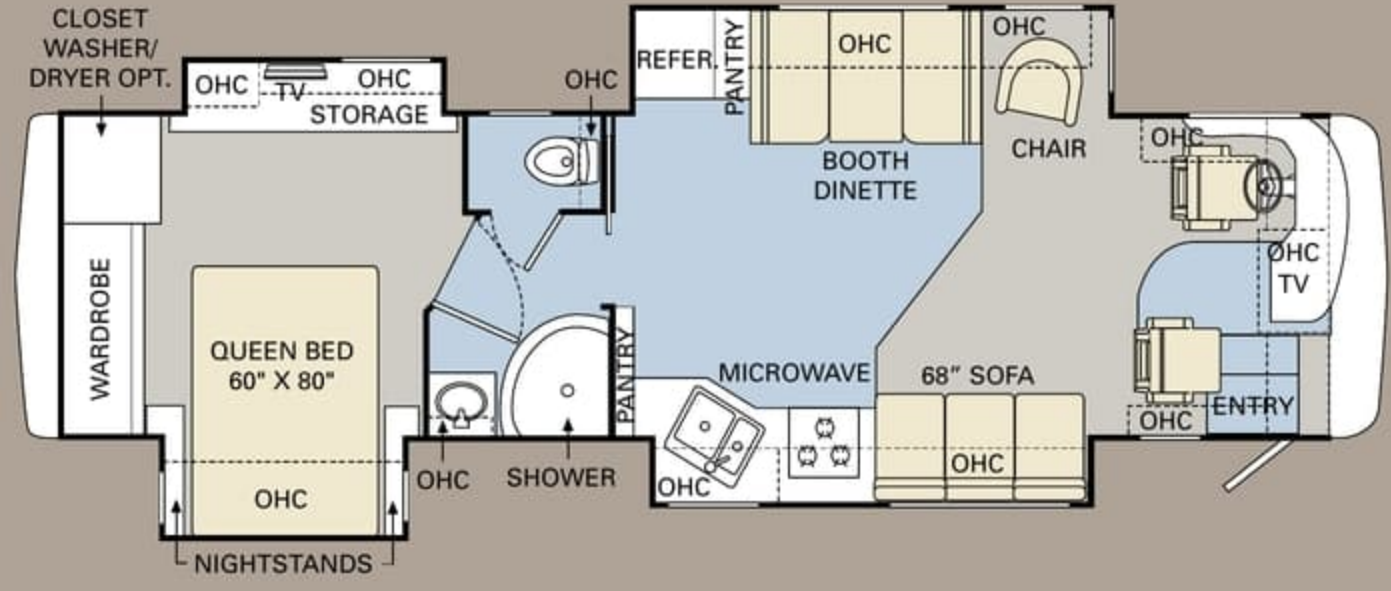
37PDQ

■ TILE ■ CARPET

Ready to choose? The Cayman XL is available in four large, livable floorplans from 35 to 39 feet. This year, you can choose from double, triple or quad slide-outs for the ultimate in spaciousness.



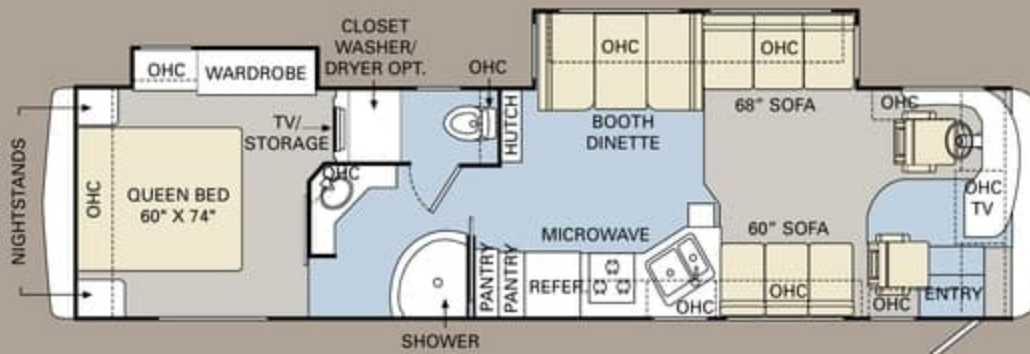
35SBD



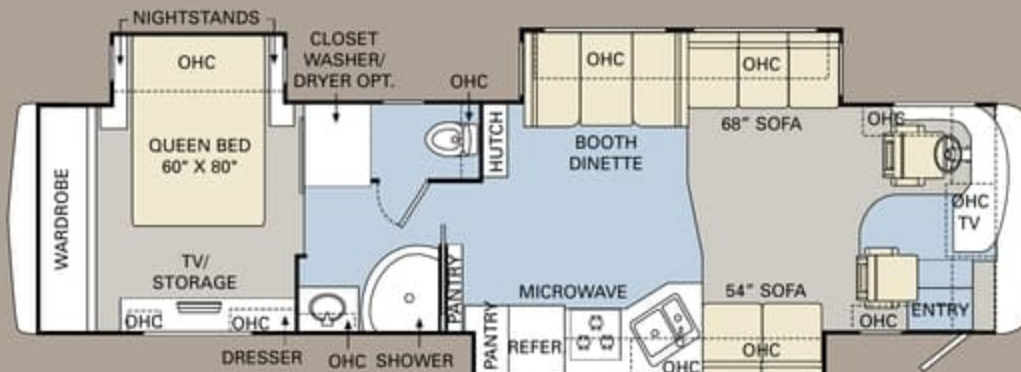
37PDQ

■ TILE ■ CARPET

Ready to choose? The Cayman XL is available in four large, livable floorplans from 35 to 39 feet. This year, you can choose from double, triple or quad slide-outs for the ultimate in spaciousness.



38PBD

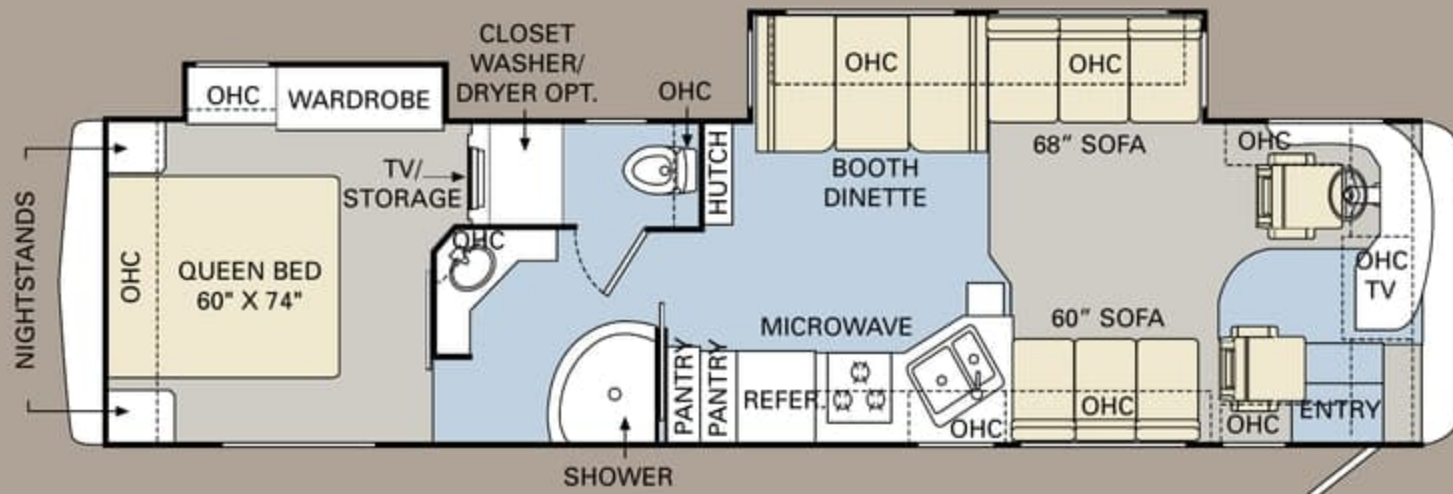


39PBT

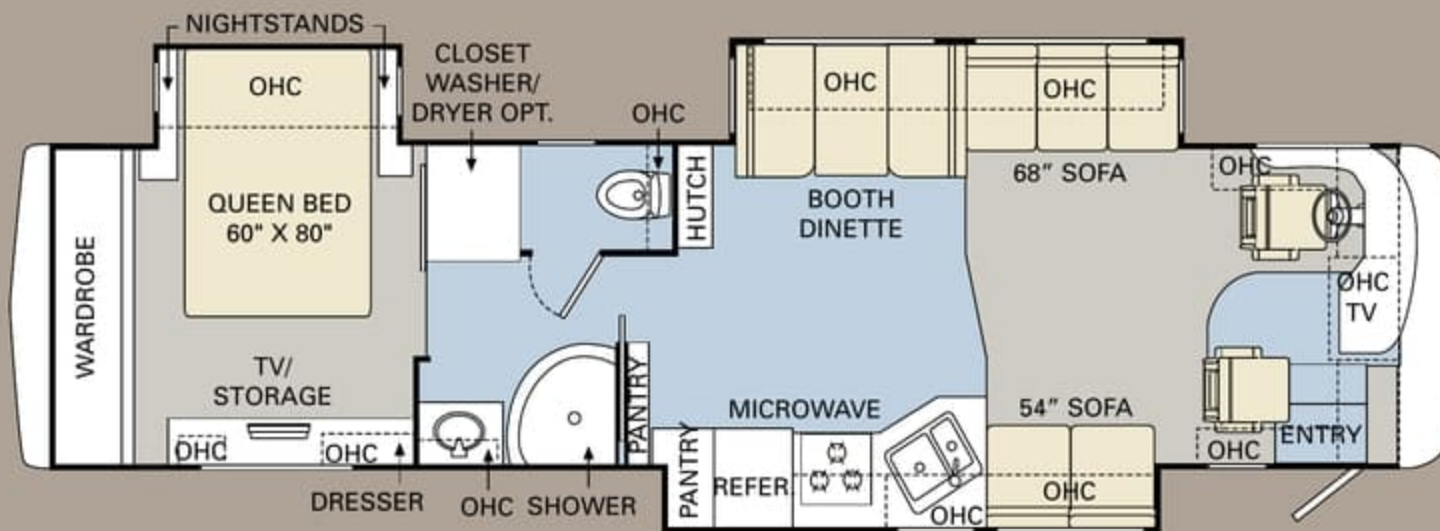
ALL ROADS LEAD TO [WWW.MONACOCOACH.COM](http://WWW.MONACOCOACH.COM).

Wherever the road takes you, you're never more than a click away from your friends at Monaco. Just go to [www.monacocoach.com](http://www.monacocoach.com) for all the latest product news, club dates and destinations, a dealer locator function, and factory tour information. You can also e-mail us directly through the site at any time.





38PBD



39PBT

ALL ROADS LEAD TO [WWW.MONACOCOACH.COM](http://WWW.MONACOCOACH.COM).

Wherever the road takes you, you're never more than a click away from your friends at Monaco. Just go to [www.monacocoach.com](http://www.monacocoach.com) for all the latest product news, club dates and destinations, a dealer locator function, and factory tour information. You can also e-mail us directly through the site at any time.





# SPECIFICATIONS

Due to continuous product improvement, please see the website for the latest in standards and options, specifications, and technical data. *Go to [www.monacocoach.com](http://www.monacocoach.com).*

	Weight Ratings (Lbs.)		Front Gross Axle	Rear Gross Axle	Measurements	Wheelbase	Overall Length	Overall Height (with A/C (add 5" for satellite option))	Interior Height	Interior Width	Exterior Width	Tank Capacity (Gal.) <sup>1</sup>	Water Heater	Gray Tank	Black Tank	Fresh Tank	LP Tank <sup>2</sup>	Fuel Tank
	Gross Vehicle	Gross Combined <sup>3</sup>																
35SBD	29,000	33,000	11,000	18,000		204"	35' 9"	12' 8"	84"	94.5"	100.5"	10	55	39	95	39	75	
37PDQ	29,000	33,000	11,000	18,000		228"	37' 9"	12' 8"	84"	94.5"	100.5"	10	55	39	95	39	75	
38PBD	29,000	33,000	11,000	18,000		240"	38' 9"	12' 8"	84"	94.5"	100.5"	10	55	39	95	39	75	
39PBT	29,000	33,000	11,000	18,000		252"	39' 9"	12' 8"	84"	94.5"	100.5"	10	55	39	95	39	75	

<sup>1</sup>Towing capacity is limited by GCWR; your vehicle's towing capacity is the difference between the GCWR and the actual vehicle weight, including all water, fuel, passengers and cargo. Your towed vehicle should be equipped with auxiliary brakes if the weight of the towed vehicle exceeds 1,000 lbs. Consult your owner's manual for further towing information.

<sup>2</sup>All tank capacities are estimated based upon calculations provided by the tank manufacturers and represent approximate capacities. The actual "usable capacity" may be greater or less than the estimated capacities based upon fabrication and installation of the tanks.

<sup>3</sup>Actual filled LP capacity is 80% of listing due to safety shut-off required on tank.

The actual overall length of the recreational vehicle may differ from that indicated in the brochure due to variances in the manufacturing process and/or installed components. The actual length may be greater or less than that indicated. Due to the large variety of options and floorplan arrangements available to our customers, actual weights for each unit can differ significantly. Monaco Coach provides a weight sticker on each unit we produce which includes that unit's tank capacities and approximate weight. Consult your local Monaco Coach dealer for unit availability and further information. The information printed in this brochure reflects product design, fabrication, and component parts at the date of printing. The manufacturer reserves the right, at any time, to make changes in product design or material or component specifications as its sole option, without notice. This

includes the substitution of components of a different brand or trade name which will result in comparable performance. All information printed in this brochure is subject to change after the date of printing. Some features shown or mentioned in this brochure are optional and may only be available in selected floorplans. Photographs may show props or decorations that are not standard equipment on Monaco Coach models. Monaco Coach, the Monaco logo and its design, are registered trademarks. All other products and company names are trademarks and/or registered trademarks of their respective holders. While the color of the motorhome's exterior and the interior fabrics depicted in this sales brochure are fair and reasonable depictions, the colors depicted may not be an exact match of the actual colors because of the variances in photo-processing and variances caused by inserting the photographs

within the sales brochure. Due to product improvements, changes during the model year and/or transcription errors that may occur, information represented within this brochure may not be accurate at the time of your purchase. If certain information is significant to your purchasing decision, please confirm the information with your dealer prior to submitting your order. Component part and appliance manufacturers issue limited warranties covering those portions of the recreational vehicle not covered by the Limited Warranties issued by Monaco Coach Corporation. To learn which specific component parts and appliances are excluded from the Limited Warranties issued by Monaco Coach Corporation, please contact your selling dealership or Monaco Coach Corporation directly, or review the warranty packet inside the recreational vehicle.

## BODY CONSTRUCTION

- › Alumaflex® Superstructure
- › Steel Cage Cockpit Construction
- › Smooth Gel Coat Fiberglass Exterior Walls
- › Front Cap and Rear Fiberglass Caps
- › One-Piece Generator Access Door
- › Rear Engine Doors and Center Grille
- › Fiberglass Engine Cover
- › Panaview™ 1-Piece Front Windshield
- › Interior Height 84"
- › 17.5" Chrome Head Exterior Mirror (Black Base and Arm with Integrated Turn Signal on Mirror Head)
- › Metal Fuel Door with Lock
- › 30" Deep Bedroom Slide-Out Houses (N/A: 35SBD, 38PBD)

- › Side-Hinged Baggage Doors; All Door Locations
- › One-Piece Polyethylene Pass-Through Storage Compartments
- › Full-Body Paint with Painted Graphics, Awning with Metal Covers
- › 3M Film Front Mask
- › Carpeted Electric Flush-Floor Stepwell Cover
- › Exterior Double Entry Steps
- › Rear Ladder
- › Full-Length Mud Flap
- › Undercoating

## OPTIONS

- › Storage Bay Slide-Out Tray, Pass-Through
- › Standard Run Savings Package: 3-Camera Rear Vision System with Audio and Adjustable Center Camera, Select Comfort Bed, 2,000-Watt Inverter with Two Additional Batteries (4 Total 6-Volt Batteries)



# SPECIFICATIONS

Due to continuous product improvement, please see the website for the latest in standards and options, specifications, and technical data. *Go to [www.monacocoach.com](http://www.monacocoach.com).*

	Weight Ratings (Lbs.)		Measurements		Tank Capacity (Gal.) <sup>2</sup>			Fuel Tank								
	Gross Vehicle	Gross Combined <sup>1</sup>	Front Gross Axle	Rear Gross Axle	Wheelbase	Overall Length	Overall Height (with A/C) (add 5" for satellite option)	Interior Height	Interior Width	Exterior Width	Water Heater	Gray Tank	Black Tank	Fresh Tank	LP Tank <sup>3</sup>	Fuel Tank
35SBD	29,000	33,000	11,000	18,000	204"	35' 9"	12' 8"	84"	94.5"	100.5"	10	55	39	95	39	75
37PDQ	29,000	33,000	11,000	18,000	228"	37' 9"	12' 8"	84"	94.5"	100.5"	10	55	39	95	39	75
38PBD	29,000	33,000	11,000	18,000	240"	38' 9"	12' 8"	84"	94.5"	100.5"	10	55	39	95	39	75
39PBT	29,000	33,000	11,000	18,000	252"	39' 9"	12' 8"	84"	94.5"	100.5"	10	55	39	95	39	75

<sup>1</sup>Towing capacity is limited by GCWR; your vehicle's towing capacity is the difference between the GCWR and the actual vehicle weight, including all water, fuel, passengers and cargo. Your towed vehicle should be equipped with auxiliary brakes if the weight of the towed vehicle exceeds 1,000 lbs. Consult your owner's manual for further towing information.

<sup>2</sup>All tank capacities are estimated based upon calculations provided by the tank manufacturers and represent approximate capacities. The actual "usable capacity" may be greater or less than the estimated capacities based upon fabrication and installation of the tanks.

<sup>3</sup>Actual filled LP capacity is 80% of listing due to safety shut-off required on tank.

The actual overall length of the recreational vehicle may differ from that indicated in the brochure due to variances in the manufacturing process and/or installed components. The actual length may be greater or less than that indicated. Due to the large variety of options and floorplan arrangements available to our customers, actual weights for each unit can differ significantly. Monaco Coach provides a weight sticker on each unit we produce which includes that unit's tank capacities and approximate weight. Consult your local Monaco Coach dealer for unit availability and further information. The information printed in this brochure reflects product design, fabrication, and component parts at the date of printing. The manufacturer reserves the right, at any time, to make changes in product design or material or component specifications as its sole option, without notice. This

includes the substitution of components of a different brand or trade name which will result in comparable performance. All information printed in this brochure is subject to change after the date of printing. Some features shown or mentioned in this brochure are optional and may only be available in selected floorplans. Photographs may show props or decorations that are not standard equipment on Monaco Coach models. Monaco Coach, the Monaco logo and its design, are registered trademarks. All other products and company names are trademarks and/or registered trademarks of their respective holders. While the color of the motorhome's exterior and the interior fabrics depicted in this sales brochure are fair and reasonable depictions, the colors depicted may not be an exact match of the actual colors because of the variances in photo-processing and variances caused by inserting the photographs

within the sales brochure. **Due to product improvements, changes during the model year and/or transcription errors that may occur, information represented within this brochure may not be accurate at the time of your purchase. If certain information is significant to your purchasing decision, please confirm the information with your dealer prior to submitting your order.** Component part and appliance manufacturers issue limited warranties covering those portions of the recreational vehicle not covered by the Limited Warranties issued by Monaco Coach Corporation. To learn which specific component parts and appliances are excluded from the Limited Warranties issued by Monaco Coach Corporation, please contact your selling dealership or Monaco Coach Corporation directly, or review the warranty packet inside the recreational vehicle.

## BODY CONSTRUCTION

- › Alumaframe® Superstructure
- › Steel Cage Cockpit Construction
- › Smooth Gel Coat Fiberglass Exterior Walls
- › Front Cap and Rear Fiberglass Caps
- › One-Piece Generator Access Door
- › Rear Engine Doors and Center Grille
- › Fiberglass Engine Cover
- › Panaview™ 1-Piece Front Windshield
- › Interior Height 84"
- › 17.5" Chrome Head Exterior Mirror (Black Base and Arm with Integrated Turn Signal on Mirror Head)
- › Metal Fuel Door with Lock
- › 30" Deep Bedroom Slide-Out Houses (N/A: 35SBD, 38PBD)
- › Side-Hinged Baggage Doors; All Door Locations
- › One-Piece Polyethylene Pass-Through Storage Compartments
- › Full-Body Paint with Painted Graphics, Awning with Metal Covers
- › 3M Film Front Mask
- › Carpeted Electric Flush-Floor Stepwell Cover
- › Exterior Double Entry Steps
- › Rear Ladder
- › Full-Length Mud Flap
- › Undercoating

## OPTIONS

- › Storage Bay Slide-Out Tray, Pass-Through
- › Standard Run Savings Package: 3-Camera Rear Vision System with Audio and Adjustable Center Camera, Select Comfort Bed, 2,000-Watt Inverter with Two Additional Batteries (4 Total 6-Volt Batteries)





## CHASSIS/ENGINE/SUSPENSION

- › Roadmaster Raised Rail Chassis RR4R
- › Cummins® ISB 340 HP Low-Torque Engine with Allison® 2500 MH 6-Speed World Transmission
- › Pushbutton Shift Pad on Allison® 2500 MH Transmission
- › Engine Displacement: 6.7L/409 Cu. In.
- › Torque: (@ 1,600 RPM) 660 lbs./ft. Max. Net
- › Block Heater
- › Chrome Exhaust Tip - Engine
- › 75 Gallon Fuel Tank
- › Dual Fuel Fill
- › 160 Amp Alternator
- › Rear Axle Ratio: 4.78:1
- › Radial Tires: 255/70R/22.5 (Goodyear G670 Series)
- › Stainless Steel Wheel Simulators
- › Four Gas Shock Absorbers
- › Four Air Bags
- › Anti-Lock Braking System with Full Air Brakes
- › Automatic Traction Control (ATC)
- › Prewire for Supplemental Braking System
- › Air Cleaner Restriction Indicator
- › Fuel/Water Separator
- › Remote Transmission Fill
- › Fully Automatic Hydraulic Leveling System
- › 7,000 Lb. Hitch Receiver with Dual Connector 4-Pin or 7-Pin

## COCKPIT

- › Fiberglass Automotive Dash with Silver Graphite Instrumentation Panel
- › CD Player/Radio with Sirius-Ready Compatibility, Weather Band and Six Speakers
- › Power Sunvisors
- › Pilot and Co-Pilot Side Window Pull-Down Sunshades
- › Rear Vision System with Audio and Adjustable Camera
- › Intermittent Windshield Wipers
- › 6-Quart Tank for Windshield Fluid
- › New Steering Wheel 18" 4-Spoke with Horn Pad and Logo
- › Tilt/Telescopic Steering Wheel
- › ICC Light Switch on Driver's Side Console
- › Air Horns
- › Molded Co-Pilot Side Console with Two-Tier Cup Holder
- › Molded Pilot Side Console with Two-Tier Cup Holder
- › Leatherette Pilot and Co-Pilot Cockpit Recliner Seats
- › Six-Way Power Pilot Seat
- › Carpeted Driver and Passenger Floor Mats

## OPTIONS

- › Auxiliary Blower for Header Area of Front Windshield
- › Six-Way Power Co-Pilot Seat
- › 3-Camera Rear Vision System
- › Sirius Radio Satellite System (Requires Subscription)
- › GPS Navigation System
- › Interior Solar Privacy Sunscreens (Manual)

## APPLIANCES AND ACCESSORIES

- › Large Double-Door Refrigerator with Ice Maker 8 Cu. Ft.
- › Stainless Steel High-Output Sealed Burner, 3-Burner Cooktop
- › Removable Solid Surface Range Covers
- › Spacesaver Convection Microwave
- › 26" LCD Stereo Color TV with Remote Control in Cockpit Overhead
- › 20" LCD TV in Bedroom
- › Washer/Dryer Prep
- › TV Antenna
- › Curbside Exterior Hook-Ups for DSS Dish, Cable, 110V Outlet with Hatch Door to Exterior
- › Digital Satellite System Prep (Front Cockpit Overhead and Bedroom TV Location)

## OPTIONS

- › Large Double-Door Refrigerator with Ice Maker 10 Cu. Ft. (N/A: 35SBD)
- › Large Four-Door Refrigerator with Ice Maker (N/A with Pantry) (Norcold®)
- › Stainless Steel High-Output Sealed Burner, 3-Burner Cooktop with Oven
- › Stainless Steel Spacesaver Microwave and Refrigerator, Any Combination (N/A with Hardwood Raised Panel Doors on Refrigerator)
- › Combination Washer/Dryer
- › Central Vacuum System
- › 32" Flatscreen LCD TV in Front Cockpit Overhead
- › Home Theater Surround Sound System with Sub-Woofer
- › Bedroom DVD Player
- › In-Motion Satellite (receiver not included)



## CHASSIS/ENGINE/SUSPENSION

- › Roadmaster Raised Rail Chassis RR4R
- › Cummins® ISB 340 HP Low-Torque Engine with Allison® 2500 MH 6-Speed World Transmission
- › Pushbutton Shift Pad on Allison® 2500 MH Transmission
- › Engine Displacement: 6.7L/409 Cu. In.
- › Torque: (@ 1,600 RPM) 660 lbs./ft. Max. Net
- › Block Heater
- › Chrome Exhaust Tip - Engine
- › 75 Gallon Fuel Tank
- › Dual Fuel Fill
- › 160 Amp Alternator
- › Rear Axle Ratio: 4.78:1
- › Radial Tires: 255/70R/22.5 (Goodyear G670 Series)
- › Stainless Steel Wheel Simulators
- › Four Gas Shock Absorbers
- › Four Air Bags
- › Anti-Lock Braking System with Full Air Brakes
- › Automatic Traction Control (ATC)
- › Prewire for Supplemental Braking System
- › Air Cleaner Restriction Indicator
- › Fuel/Water Separator
- › Remote Transmission Fill
- › Fully Automatic Hydraulic Leveling System
- › 7,000 Lb. Hitch Receiver with Dual Connector 4-Pin or 7-Pin

## COCKPIT

- › Fiberglass Automotive Dash with Silver Graphite Instrumentation Panel
- › CD Player/Radio with Sirius-Ready Compatibility, Weather Band and Six Speakers
- › Power Sunvisors
- › Pilot and Co-Pilot Side Window Pull-Down Sunshades
- › Rear Vision System with Audio and Adjustable Camera
- › Intermittent Windshield Wipers
- › 6-Quart Tank for Windshield Fluid
- › New Steering Wheel 18" 4-Spoke with Horn Pad and Logo
- › Tilt/Telescopic Steering Wheel
- › ICC Light Switch on Driver's Side Console
- › Air Horns
- › Molded Co-Pilot Side Console with Two-Tier Cup Holder
- › Molded Pilot Side Console with Two-Tier Cup Holder
- › Leatherette Pilot and Co-Pilot Cockpit Recliner Seats
- › Six-Way Power Pilot Seat
- › Carpeted Driver and Passenger Floor Mats

## OPTIONS

- › Auxiliary Blower for Header Area of Front Windshield
- › Six-Way Power Co-Pilot Seat
- › 3-Camera Rear Vision System
- › Sirius Radio Satellite System (Requires Subscription)
- › GPS Navigation System
- › Interior Solar Privacy Sunscreens (Manual)

## APPLIANCES AND ACCESSORIES

- › Large Double-Door Refrigerator with Ice Maker 8 Cu. Ft.
- › Stainless Steel High-Output Sealed Burner, 3-Burner Cooktop
- › Removable Solid Surface Range Covers
- › Spacesaver Convection Microwave
- › 26" LCD Stereo Color TV with Remote Control in Cockpit Overhead
- › 20" LCD TV in Bedroom
- › Washer/Dryer Prep
- › TV Antenna
- › Curbside Exterior Hook-Ups for DSS Dish, Cable, 110V Outlet with Hatch Door to Exterior
- › Digital Satellite System Prep (Front Cockpit Overhead and Bedroom TV Location)

## OPTIONS

- › Large Double-Door Refrigerator with Ice Maker 10 Cu. Ft. (N/A: 35SBD)
- › Large Four-Door Refrigerator with Ice Maker (N/A with Pantry) (Norcold®)
- › Stainless Steel High-Output Sealed Burner, 3-Burner Cooktop with Oven
- › Stainless Steel Spacesaver Microwave and Refrigerator, Any Combination (N/A with Hardwood Raised Panel Doors on Refrigerator)
- › Combination Washer/Dryer
- › Central Vacuum System
- › 32" Flatscreen LCD TV in Front Cockpit Overhead
- › Home Theater Surround Sound System with Sub-Woofer
- › Bedroom DVD Player
- › In-Motion Satellite (receiver not included)

## INTERIOR

- › New Profile Raised Panel Cabinet Door, Upper Cabinet Doors and Wardrobe Doors with Top Arch
- › Lower Cabinet Doors Square Raised Panel
- › Hardwood Raised Panel Doors on Refrigerator (N/A with Stainless Steel Option)
- › Heavy-Duty Ball Bearing Drawer Guides
- › Wood Cabinet Drawer Boxes
- › Integrated Cup Holder in Slide-Out next to Sofa
- › Solid Surface Kitchen Countertop and Backsplash with Under-Mounted Stainless Steel Sink with Two Sink Covers
- › Kitchen Countertop Extension with Two Drawers Below (N/A: 37PDQ) (Drawers N/A on 39PBT)
- › 110V Outlet under Extension
- › Toe Kicks Kitchen and Bath Base Cabinets
- › Kitchen Countertop End Splash (37PDQ Only)
- › Solid Surface Bath Lavatory Countertop with Integrated Bowl and Solid Surface Backsplash
- › Dinette Countertops, Laminate Countertop with Solid Surface Countertop Edge Treatment
- › Nightstand Laminated Countertops with Solid Surface Countertop Edge Treatment
- › Kitchen Pantry next to Refrigerator with Full-Height Roll-Out Storage Cabinet (N/A with Four-Door Refrigerator Option) (N/A: 35SBD)
- › Kitchen Pantry next to Refrigerator with Adjustable Shelves in Upper Cabinet and Three Drawers Below (N/A with Four-Door Refrigerator Option) (35SBD Only)
- › Second Kitchen Pantry next to Refrigerator with Roll-Out Storage in Upper Cabinet and Three Drawers Below (38PBD Only)
- › Solid Surface Backsplash behind Cooktop
- › New Colors and Grade of Laminate Tile Flooring Kitchen, Bath and Entryway
- › Carpeting with Pad in Living Area and Bedroom
- › Engine Rug Cover (N/A: 35SBD, 38PBD)
- › Soft Touch Padded Vinyl Ceiling
- › New Decorative Slide-Out Fascia
- › Living Area: Mirror, Wainscoting and Chair Rail Accent under Mirror (N/A: 38PBD, 39PBT)
- › Wood Grain Crown Molding in Bedroom and Living Area on All Open Walls
- › Satin Nickel Cabinetry Hardware and Bath Accessories
- › Hardwood Framed Pocket Doors with Flat Panel Insert
- › Oversized Rear Wardrobe Closet with Deluxe Mirrored Door Frames Satin Nickel (N/A: 35SBD, 38PBD)
- › Blackout Day/Night Pleated Shades in Living Area and Bedroom
- › Soil Repellant on Fabric

## OPTIONS

- › New Decors: Vintage Masters, Devonshire, Island Style
- › Full-Width Laminated Tile Flooring Cockpit, Living Room Area and Kitchen
- › Wood Choice: Newport Cherry, Champagne Select

## FURNITURE

- › Queen Bed with Overhead Cabinet and Nightstands (60" x 80"), (60" x 74" on 35SBD, 38PBD)
- › Arched Back Wood Booth Dinette with Side-Sliding Dinette Tabletop with Storage Access Door on End of Rear Seat Base and Drawer on Front Seat Base
- › Forward-Facing Seatbelts in Booth Dinette inside Living Area Slide-Out (N/A: 37PDQ)
- › Roadside: Fabric Easy Bed Sofa (N/A: 37PDQ)
- › Roadside: New Style Leatherette Swivel Rocker Barrel Chair (37PDQ Only)
- › Curbside: Fabric Easy Bed Sofa (N/A: 39PBT)
- › Curbside: Fabric Love Seat (39PBT Only)

## OPTIONS

- › Bedroom: Select Comfort Bed IPO Standard Mattress
- › Roadside: New Style Leatherette Swivel Recliner (37PDQ Only)
- › Roadside: Leatherette Euro-Recliner Chair with Ottoman (37PDQ Only)
- › Roadside: Fabric Hide-A-Bed Sofa with Air Mattress (N/A: 37PDQ)
- › Roadside: Leatherette Hide-A-Bed Sofa with Air Mattress (N/A: 37PDQ)
- › Roadside: Leatherette Ensemble Booth Dinette Includes Leatherette Hide-A-Bed Sofa Selection with Air Mattress (Forward-Facing Seatbelts at Booth Dinette Location Not Available with This Option) (N/A: 37PDQ)
- › Curbside: One Leatherette Euro-Recliner Chair with Ottoman, and Wall-Mounted Table with Pullout Countertop (N/A: 37PDQ, 39PBT)
- › Curbside: One Leatherette Euro-Recliner Chair with Ottoman and Desk Work Area (39PBT Only)
- › Curbside: Leatherette Easy Bed Sofa (N/A: 39PBT)
- › Curbside: Leatherette Love Seat (39PBT Only)
- › Curbside: Fabric Hide-A-Bed Sofa with Air Mattress (37PDQ Only)
- › Curbside: Leatherette Hide-A-Bed Sofa with Air Mattress (37PDQ Only)
- › Freestanding Dinette with Two Freestanding Chairs and Two Folding Chairs

## INTERIOR

- › New Profile Raised Panel Cabinet Door, Upper Cabinet Doors and Wardrobe Doors with Top Arch
- › Lower Cabinet Doors Square Raised Panel
- › Hardwood Raised Panel Doors on Refrigerator (N/A with Stainless Steel Option)
- › Heavy-Duty Ball Bearing Drawer Guides
- › Wood Cabinet Drawer Boxes
- › Integrated Cup Holder in Slide-Out next to Sofa
- › Solid Surface Kitchen Countertop and Backsplash with Under-Mounted Stainless Steel Sink with Two Sink Covers
- › Kitchen Countertop Extension with Two Drawers Below (N/A: 37PDQ) (Drawers N/A on 39PBT)
- › 110V Outlet under Extension
- › Toe Kicks Kitchen and Bath Base Cabinets
- › Kitchen Countertop End Splash (37PDQ Only)
- › Solid Surface Bath Lavatory Countertop with Integrated Bowl and Solid Surface Backsplash
- › Dinette Countertops, Laminate Countertop with Solid Surface Countertop Edge Treatment
- › Nightstand Laminated Countertops with Solid Surface Countertop Edge Treatment

- › Kitchen Pantry next to Refrigerator with Full-Height Roll-Out Storage Cabinet (N/A with Four-Door Refrigerator Option) (N/A: 35SBD)
- › Kitchen Pantry next to Refrigerator with Adjustable Shelves in Upper Cabinet and Three Drawers Below (N/A with Four-Door Refrigerator Option) (35SBD Only)
- › Second Kitchen Pantry next to Refrigerator with Roll-Out Storage in Upper Cabinet and Three Drawers Below (38PBD Only)
- › Solid Surface Backsplash behind Cooktop
- › New Colors and Grade of Laminate Tile Flooring Kitchen, Bath and Entryway
- › Carpeting with Pad in Living Area and Bedroom
- › Engine Rug Cover (N/A: 35SBD, 38PBD)
- › Soft Touch Padded Vinyl Ceiling
- › New Decorative Slide-Out Fascia
- › Living Area: Mirror, Wainscoting and Chair Rail Accent under Mirror (N/A: 38PBD, 39PBT)
- › Wood Grain Crown Molding in Bedroom and Living Area on All Open Walls

- › Satin Nickel Cabinetry Hardware and Bath Accessories
- › Hardwood Framed Pocket Doors with Flat Panel Insert
- › Oversized Rear Wardrobe Closet with Deluxe Mirrored Door Frames Satin Nickel (N/A: 35SBD, 38PBD)
- › Blackout Day/Night Pleated Shades in Living Area and Bedroom
- › Soil Repellant on Fabric

## OPTIONS

- › New Decors: Vintage Masters, Devonshire, Island Style
- › Full-Width Laminated Tile Flooring Cockpit, Living Room Area and Kitchen
- › Wood Choice: Newport Cherry, Champagne Select

## FURNITURE

- › Queen Bed with Overhead Cabinet and Nightstands (60" x 80"), (60" x 74" on 35SBD, 38PBD)
- › Arched Back Wood Booth Dinette with Side-Sliding Dinette Tabletop with Storage Access Door on End of Rear Seat Base and Drawer on Front Seat Base
- › Forward-Facing Seatbelts in Booth Dinette inside Living Area Slide-Out (N/A: 37PDQ)
- › Roadside: Fabric Easy Bed Sofa (N/A: 37PDQ)
- › Roadside: New Style Leatherette Swivel Rocker Barrel Chair (37PDQ Only)
- › Curbside: Fabric Easy Bed Sofa (N/A: 39PBT)
- › Curbside: Fabric Love Seat (39PBT Only)

## OPTIONS

- › Bedroom: Select Comfort Bed IPO Standard Mattress
- › Roadside: New Style Leatherette Swivel Recliner (37PDQ Only)
- › Roadside: Leatherette Euro-Recliner Chair with Ottoman (37PDQ Only)
- › Roadside: Fabric Hide-A-Bed Sofa with Air Mattress (N/A: 37PDQ)
- › Roadside: Leatherette Hide-A-Bed Sofa with Air Mattress (N/A: 37PDQ)
- › Roadside: Leatherette Ensemble Booth Dinette Includes Leatherette Hide-A-Bed Sofa Selection with Air Mattress (Forward-Facing Seatbelts at Booth Dinette Location Not Available with This Option) (N/A: 37PDQ)

- › Curbside: One Leatherette Euro-Recliner Chair with Ottoman, and Wall-Mounted Table with Pullout Countertop (N/A: 37PDQ, 39PBT)
- › Curbside: One Leatherette Euro-Recliner Chair with Ottoman and Desk Work Area (39PBT Only)
- › Curbside: Leatherette Easy Bed Sofa (N/A: 39PBT)
- › Curbside: Leatherette Love Seat (39PBT Only)
- › Curbside: Fabric Hide-A-Bed Sofa with Air Mattress (37PDQ Only)
- › Curbside: Leatherette Hide-A-Bed Sofa with Air Mattress (37PDQ Only)
- › Freestanding Dinette with Two Freestanding Chairs and Two Folding Chairs



## ELECTRICAL SYSTEMS AND LIGHTS

- › 50 Amp 120V Distribution Panel and Power Cord
- › Energy Management System
- › 60 Amp Electronic 12V Power Converter
- › Onan® 6.0 kW Diesel Generator
- › Two 6V House Batteries
- › Two 12V Heavy-Duty Chassis Batteries
- › Battery Disconnect Switch at Front Door
- › Exterior Power Entry Step with Light
- › Interior Stepwell Entry Step Lights
- › Water Pump Switch in Service Bay Area and Convenience Center
- › Lights in Outside Storage Compartments
- › Underhood Utility Light
- › Two Recessed Ceiling Map Lights above Cockpit Seats, One Pilot Side and One Co-Pilot Side
- › Hallway Convenience Center
- › Obscure Lens Halogen Light under Kitchen and Living Room Hutch Overhead Cabinets
- › Three Recessed Ceiling Lights above Countertop Work Area Kitchen
- › One Recessed Ceiling Light above Refrigerator (37PDQ, 39PBT)
- › Decorative Lighting Satin Nickel Living Room Wall Light, New Dinette Overhead and Cosmetic Vanity Light

### OPTIONS

- › 2,000 Watt Inverter with Two Additional Batteries
- › Storage Compartment Tank Monitor Gauge
- › Manual Retracting Power Cord Reel
- › Onan® 8.0 kW Quiet Diesel Generator

## PLUMBING AND LP SYSTEMS

- › Kitchen Stainless Steel Under-Mounted Sink with Single Lever Satin Nickel Faucet with Pullout Sprayer
- › Central Water Filtration System
- › New Bath Lavatory Faucet Satin Nickel Finish
- › Demand Water System and Water Pump
- › 10-Gallon LP Gas/Electric Water Heater with Electronic Ignition
- › Winterization Valving System
- › Water Heater Bypass Valving
- › China Toilet with Sprayer
- › No-Fuss Flush Holding Tank Rinsing System
- › Insulated Systems Compartment with Easy Access to Hook-Up
- › Shower inside Wet Bay with Hot/Cold Water, Shower Head with Shut-Off
- › Soap Dispenser inside Utility Bay
- › Gravity and Pressurized Water Fill
- › Contained Storage Area for Sewer Hose
- › One-Piece Fiberglass Shower
- › Shower Diverter, Hose and Head with Shut-Off, Satin Finish with Satin Slide Bar for Shower Head with Metal Soap Dish

- › Satin Nickel Shower Door Frame with Obscure Glass (35SBD)
- › Rounded Satin Nickel Shower Door Frame with Decorative Glass (N/A: 35SBD)

### OPTIONS

- › RV Sani-Con 1 System, Holding Tank Flush System
- › Bathtub Option IPO Shower, Rounded Shower Stalls Will Be Neo-Angled with Tub Option

## HEATING, VENTS AND AIR CONDITIONING

- › Dual 13.5M BTU Air Conditioners with Ducted Air and Wall Digital Thermostat
- › Electronic Ignition Furnace (35SBD 35M BTU) (37PDQ 1 20M, 1 31M BTU) (38PBD 40M BTU) (39PBT 1 20M, 1 31M BTU)
- › Kitchen Powered Attic Fan with Wall Control of Automatic Dome and Fan Power
- › Bath Powered Attic Fan with Wall Control of Automatic Dome and Fan Power
- › 12V Heater in Wet Bay, Heat Pad on Fresh Tank
- › Wood Louver Air Return Grill for Furnace
- › Metal Floor Registers Satin Nickel

### OPTIONS

- › Dual 13.5M BTU Air Conditioner with Heat Pumps and Digital Thermostat Control
- › Ceiling Fan in Bedroom

## WINDOWS, DOORS AND AWNINGS

- › Radius Flush-Mounted Dual Pane Safety Glass Dark Tinted Slider Windows
- › New Exterior Entry Door Grab Handle
- › Eclipse Automatic Patio Awning
- › Front Door Awning
- › Topper Slide-Out Awnings Living Area and Bedroom
- › Tinted Skylight in Bathroom with Protecta Glaze

### OPTIONS

- › Sidewall Bedroom Window Awning with Metal Cover and Painted Hardware (N/A: 37PDQ)
- › Window Awning Living Area Slide-Out House Windows with Metal Cover and Painted Hardware
- › Window Awnings Bedroom Wardrobe Slide-Out House (N/A: 39PBT)

## SAFETY

- › Fire Extinguisher (10BC)
- › Deadbolt Lock on Entrance Door
- › 120V GFI Protected Circuit Kitchen, Bath and Exterior
- › LP Gas Detector
- › Smoke Detector
- › Carbon Monoxide Detector
- › Driver and Passenger Three-Point Seatbelts (Wall-Mounted)
- › Third Brake Safety Light
- › Egress Window



## ELECTRICAL SYSTEMS AND LIGHTS

- › 50 Amp 120V Distribution Panel and Power Cord
- › Energy Management System
- › 60 Amp Electronic 12V Power Converter
- › Onan® 6.0 kW Diesel Generator
- › Two 6V House Batteries
- › Two 12V Heavy-Duty Chassis Batteries
- › Battery Disconnect Switch at Front Door
- › Exterior Power Entry Step with Light
- › Interior Stepwell Entry Step Lights
- › Water Pump Switch in Service Bay Area and Convenience Center
- › Lights in Outside Storage Compartments
- › Underhood Utility Light
- › Two Recessed Ceiling Map Lights above Cockpit Seats, One Pilot Side and One Co-Pilot Side
- › Hallway Convenience Center
- › Obscure Lens Halogen Light under Kitchen and Living Room Hutch Overhead Cabinets
- › Three Recessed Ceiling Lights above Countertop Work Area Kitchen
- › One Recessed Ceiling Light above Refrigerator (37PDQ, 39PBT)
- › Decorative Lighting Satin Nickel Living Room Wall Light, New Dinette Overhead and Cosmetic Vanity Light

### OPTIONS

- › 2,000 Watt Inverter with Two Additional Batteries
- › Storage Compartment Tank Monitor Gauge
- › Manual Retracting Power Cord Reel
- › Onan® 8.0 kW Quiet Diesel Generator

## PLUMBING AND LP SYSTEMS

- › Kitchen Stainless Steel Under-Mounted Sink with Single Lever Satin Nickel Faucet with Pullout Sprayer
- › Central Water Filtration System
- › New Bath Lavatory Faucet Satin Nickel Finish
- › Demand Water System and Water Pump
- › 10-Gallon LP Gas/Electric Water Heater with Electronic Ignition
- › Winterization Valving System
- › Water Heater Bypass Valving
- › China Toilet with Sprayer
- › No-Fuss Flush Holding Tank Rinsing System
- › Insulated Systems Compartment with Easy Access to Hook-Up
- › Shower inside Wet Bay with Hot/Cold Water, Shower Head with Shut-Off
- › Soap Dispenser inside Utility Bay
- › Gravity and Pressurized Water Fill
- › Contained Storage Area for Sewer Hose
- › One-Piece Fiberglass Shower
- › Shower Diverter, Hose and Head with Shut-Off, Satin Finish with Satin Slide Bar for Shower Head with Metal Soap Dish

- › Satin Nickel Shower Door Frame with Obscure Glass (35SBD)
- › Rounded Satin Nickel Shower Door Frame with Decorative Glass (N/A: 35SBD)

### OPTIONS

- › RV Sani-Con 1 System, Holding Tank Flush System
- › Bathtub Option IPO Shower, Rounded Shower Stalls Will Be Neo-Angled with Tub Option

## HEATING, VENTS AND AIR CONDITIONING

- › Dual 13.5M BTU Air Conditioners with Ducted Air and Wall Digital Thermostat
- › Electronic Ignition Furnace (35SBD 35M BTU) (37PDQ 1 20M, 1 31M BTU) (38PBD 40M BTU) (39PBT 1 20M, 1 31M BTU)
- › Kitchen Powered Attic Fan with Wall Control of Automatic Dome and Fan Power
- › Bath Powered Attic Fan with Wall Control of Automatic Dome and Fan Power
- › 12V Heater in Wet Bay, Heat Pad on Fresh Tank
- › Wood Louver Air Return Grill for Furnace
- › Metal Floor Registers Satin Nickel

### OPTIONS

- › Dual 13.5M BTU Air Conditioner with Heat Pumps and Digital Thermostat Control
- › Ceiling Fan in Bedroom

## WINDOWS, DOORS AND AWNINGS

- › Radius Flush-Mounted Dual Pane Safety Glass Dark Tinted Slider Windows
- › New Exterior Entry Door Grab Handle
- › Eclipse Automatic Patio Awning
- › Front Door Awning
- › Topper Slide-Out Awnings Living Area and Bedroom
- › Tinted Skylight in Bathroom with Protecta Glaze

### OPTIONS

- › Sidewall Bedroom Window Awning with Metal Cover and Painted Hardware (N/A: 37PDQ)
- › Window Awning Living Area Slide-Out House Windows with Metal Cover and Painted Hardware
- › Window Awnings Bedroom Wardrobe Slide-Out House (N/A: 39PBT)

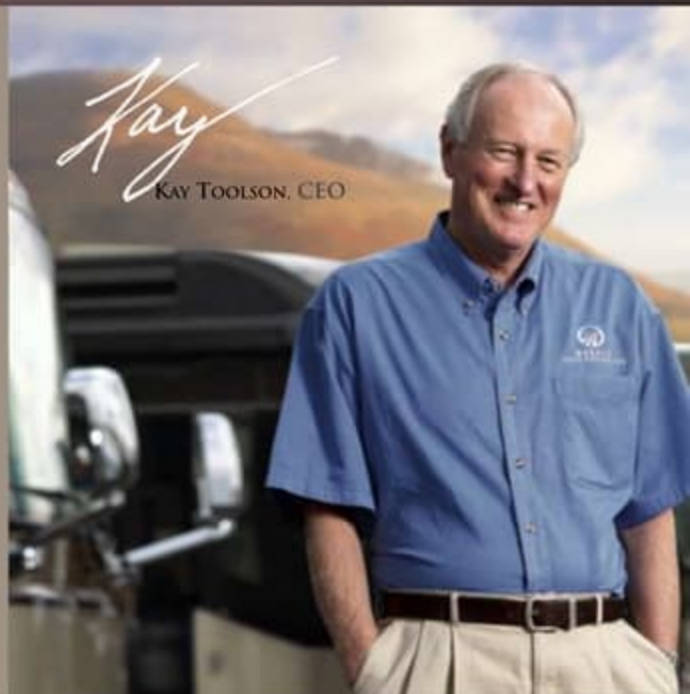
## SAFETY

- › Fire Extinguisher (10BC)
- › Deadbolt Lock on Entrance Door
- › 120V GFI Protected Circuit Kitchen, Bath and Exterior
- › LP Gas Detector
- › Smoke Detector
- › Carbon Monoxide Detector
- › Driver and Passenger Three-Point Seatbelts (Wall-Mounted)
- › Third Brake Safety Light
- › Egress Window

## BEING DIFFERENT MAKES ALL THE DIFFERENCE.

At Monaco, we always strive to be the best. And that means thinking outside the box. Giving you more of what you want in an RV. Like our exclusive Roadmaster chassis. Three factory-owned service centers. And programs like Monaco Financial Services and 24/7 roadside assistance. No other manufacturer can match Monaco's offerings. No one even comes close. Why not discover the difference for yourself? Go Monaco.

**"No other manufacturer can match  
Monaco's offerings. No one even comes close."**



[www.monacodifferent.com](http://www.monacodifferent.com) | 877-252-4666

DEALER:



MONACO™

DRIVING YOUR DREAM.

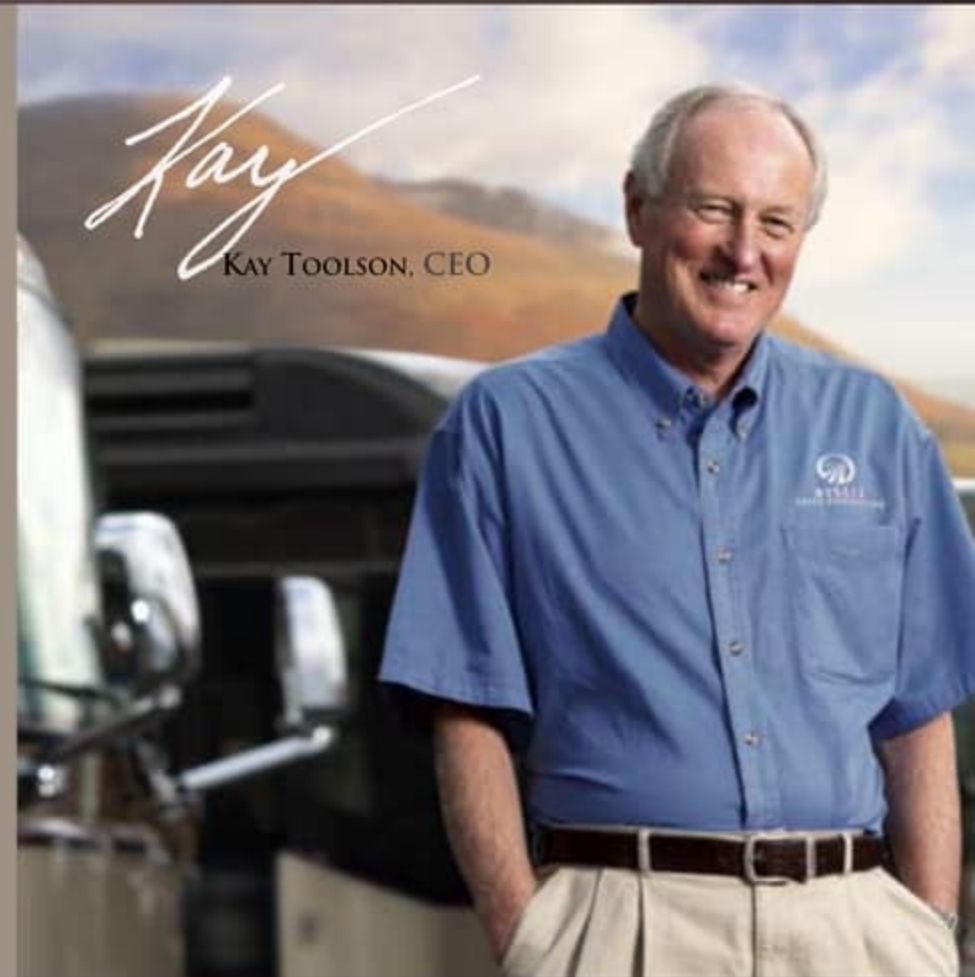
91320 Coburg Industrial Way, Coburg, OR 97408 | 800 634-0855

[www.monacocoach.com](http://www.monacocoach.com)

## BEING DIFFERENT MAKES ALL THE DIFFERENCE.

At Monaco, we always strive to be the best. And that means thinking outside the box. Giving you more of what you want in an RV. Like our exclusive Roadmaster chassis. Three factory-owned service centers. And programs like Monaco Financial Services and 24/7 roadside assistance. No other manufacturer can match Monaco's offerings. No one even comes close. Why not discover the difference for yourself? Go Monaco.

**“No other manufacturer can match Monaco's offerings. No one even comes close.”**



[www.monacodifferent.com](http://www.monacodifferent.com) | 877-252-4666

DEALER:



MONACO®

DRIVING YOUR DREAM.

91320 Coburg Industrial Way, Coburg, OR 97408 | 800 634-0855

[www.monacocoach.com](http://www.monacocoach.com)