

Aspect



Why Aspect?

- Ultraleather™ furniture
- LED lighting
- Home Theater Sound System
- Powered patio awning with metal wrap and LED lighting
- HDTVs in lounge and bedroom
- Abundant wardrobe storage
- MCD blackout roller shades
- Corian® countertops

Aspect



Why Aspect?

- Ultraleather™ furniture
- LED lighting
- Home Theater Sound System
- Powered patio awning with metal wrap and LED lighting
- HDTVs in lounge and bedroom
- Abundant wardrobe storage
- MCD blackout roller shades
- Corian® countertops



On the Cover: 27K Oakwood Full-Body Paint

27K Mountain View with Coffee-Glazed Vienna Maple Cabinetry

Change Your Perspective

Those who think you can't live in luxury in a Class C coach have never traveled in a Winnebago Aspect®. This Class C sensation comes loaded with upscale amenities and an extensive amount of storage, thanks to a large exterior rear trunk with multiple access points. Choose from the double-slideout 27K or the new triple-slideout 30J, both

offering MCD blackout roller shades, Corian® galley countertops with available mosaic tile backsplashes, and available dual-pane Contour windows. And, because it's made by Winnebago Industries®, you can rest assured knowing you will be getting the most out of your Winnebago Aspect for years to come.



Recognized Quality The RV Dealers Association bestows its annual Quality Circle Award based on dealer ratings to the manufacturers that provide exceptional products, service and support. Only one manufacturer has received this honor for seventeen consecutive years: Winnebago Industries®.



On the Cover: 27K Oakwood Full-Body Paint

27K Mountain View with Coffee-Glazed Vienna Maple Cabinetry

Change Your Perspective

Those who think you can't live in luxury in a Class C coach have never traveled in a Winnebago Aspect.® This Class C sensation comes loaded with upscale amenities and an extensive amount of storage, thanks to a large exterior rear trunk with multiple access points. Choose from the double-slideout 27K or the new triple-slideout 30J, both

offering MCD blackout roller shades, Corian® galley countertops with available mosaic tile backsplashes, and available dual-pane Contour windows. And, because it's made by Winnebago Industries,® you can rest assured knowing you will be getting the most out of your Winnebago Aspect for years to come.



Recognized Quality The RV Dealers Association bestows its annual Quality Circle Award based on dealer ratings to the manufacturers that provide exceptional products, service and support. Only one manufacturer has received this honor for seventeen consecutive years: Winnebago Industries.®

Best in Class

See how Winnebago Industries takes motorhome design and function to the next level, and why we've earned the right to be called the Most Recognized Name in Motorhomes.®

 Click on this icon throughout the brochure to link to more information on the web.



Full-Extension Drawer Slides make it easy to open drawers wide and maximize their storage space.



Expand your living space with **Swivel Cab Seats** that turn to face the lounge (standard 27K, available 30J).



Enjoy exceptionally comfortable dining in the **BenchMark® Full Comfort Dinette** with its premium innerspring seating. The seats tilt up providing easy access to storage underneath and effortlessly convert into a relaxing sleeping space.



The **OnePlace® Systems Center** lets you monitor and control key systems from one convenient location.



Adjust your preferred light and privacy settings with the available **MCD Solar/Blackout Roller Shades** (MCD blackout roller shades standard).

Best in Class

See how Winnebago Industries takes motorhome design and function to the next level, and why we've earned the right to be called the Most Recognized Name in Motorhomes.®



Click on this icon throughout the brochure to link to more information on the web.



Full-Extension Drawer Slides make it easy to open drawers wide and maximize their storage space.



Enjoy exceptionally comfortable dining in the **BenchMark® Full Comfort Dinette** with its premium innerspring seating. The seats tilt up providing easy access to storage underneath and effortlessly convert into a relaxing sleeping space.



The **OnePlace® Systems Center** lets you monitor and control key systems from one convenient location.



Expand your living space with **Swivel Cab Seats** that turn to face the lounge (standard 27K, available 30J).



Adjust your preferred light and privacy settings with the available **MCD Solar/Blackout Roller Shades** (MCD blackout roller shades standard).

Designed for superior comfort and relaxation, the Aspect lounge offers numerous furniture options including the BenchMark full comfort dinette, available Ultraleather™ Comfort Sofa Sleeper or the Ultraleather Rest Easy® sofa. A 26" HDTV with surround sound and a DVD player makes for memorable movie nights, while the MCD blackout roller shades and LED lighting allow you to control light and privacy. Take advantage of the newly available dual-pane Contour windows that provide superior seal and reduced wind noise. The standard 4,000-watt Cummins Onan® generator provides the power you need, even when not connected to a shoreline source.



Designed for superior comfort and relaxation, the Aspect lounge offers numerous furniture options including the BenchMark full comfort dinette, available Ultraleather™ Comfort Sofa Sleeper or the Ultraleather Rest Easy® sofa. A 26" HDTV with surround sound and a DVD player makes for memorable movie nights, while the MCD blackout roller shades and LED lighting allow you to control light and privacy. Take advantage of the newly available dual-pane Contour windows that provide superior seal and reduced wind noise. The standard 4,000-watt Cummins Onan® generator provides the power you need, even when not connected to a shoreline source.



27K Mountain View with Coffee-Glazed Vienna Maple Cabinetry



Available Skylight/Air Vent with Built-In Sliding Screen and Shade



27K Galley



27K Pantry



Refrigerator/Freezer

Prepare your meals in the full-featured galley that includes a 3-burner range top with storage below, microwave oven, refrigerator/freezer, Corian® countertops, and an abundance of prep and storage space. The available interior upgrade package includes a mosaic backsplash, Corian range and sink covers, a stainless steel microwave/convection oven, and a raised panel stile-and-rail refrigerator door insert.



27K Galley



27K Pantry



Refrigerator/Freezer

Prepare your meals in the full-featured galley that includes a 3-burner range top with storage below, microwave oven, refrigerator/freezer, Corian® countertops, and an abundance of prep and storage space. The available interior upgrade package includes a mosaic backsplash, Corian range and sink covers, a stainless steel microwave/convection oven, and a raised panel stile-and-rail refrigerator door insert.



27K Bedroom

A generous wardrobe with drawers, a walk-around queen bed, a 22" HDTV, and dual nightstands create the perfect space for relaxing after a long day. For even more comfort, select the available Ideal Rest® Nouveau digital control mattress with remotes. You may also choose the 1,000-watt DC/AC inverter that delivers power to the bedroom outlet for convenient access to power when shoreline power is not available.



27K Bathroom



27K Wardrobe



Bedroom HDTV



27K Bedroom



27K Bathroom

A generous wardrobe with drawers, a walk-around queen bed, a 22" HDTV, and dual nightstands create the perfect space for relaxing after a long day. For even more comfort, select the available Ideal Rest® Nouveau digital control mattress with remotes. You may also choose the 1,000-watt DC/AC inverter that delivers power to the bedroom outlet for convenient access to power when shoreline power is not available.



27K Wardrobe



Bedroom HDTV



Dash

You will feel in total control of your motorhome while seated in the comfortable Ultraleather cab seats. An available Infotainment Center with Rand McNally RV GPS offers a CD/DVD player, MP3 input, outside temperature display, compass, turn-by-turn voice navigation, rearview monitor, and much more. Once parked, the cab seats on the 27K swivel to face the lounge, which adds seating options in the living area.



Powered Mirrors



Cab Seats



Dash

You will feel in total control of your motorhome while seated in the comfortable Ultraleather cab seats. An available Infotainment Center with Rand McNally RV GPS offers a CD/DVD player, MP3 input, outside temperature display, compass, turn-by-turn voice navigation, rearview monitor, and much more. Once parked, the cab seats on the 27K swivel to face the lounge, which adds seating options in the living area.



Powered Mirrors



Cab Seats

The great outdoors might become your favorite space. That's because the powered patio awning with a metal wrap and LED lighting, a standard large rear trunk, and an available exterior entertainment center make for a great place to relax. House batteries are also conveniently located on a slide-out tray for easy access.



Powered Patio Awning



Powered Patio Awning with LED Lighting



Exterior Storage with Folding Table



Available Stylized Aluminum Wheels

The great outdoors might become your favorite space. That's because the powered patio awning with a metal wrap and LED lighting, a standard large rear trunk, and an available exterior entertainment center make for a great place to relax. House batteries are also conveniently located on a slide-out tray for easy access.



Powered Patio Awning



Powered Patio Awning with LED Lighting



Exterior Storage with Folding Table



Available Stylized Aluminum Wheels

Fiberglass Roof
The crowned, one-piece fiberglass roof is backed by a 10-year limited parts-and-labor roof skin warranty.

Rubber Can't Cut It
Rubber roofs used by competitors can streak and degrade over time.

Thermo-Panel® Sidewalls
By layering fiberglass and high-density block foam insulation with welded aluminum support structures, we create some of the industry's strongest, most durable and lightweight sidewalls.

Embedded Steel Metal substructures embedded into the sidewall provide solid attachment points to keep cabinets and appliances mounted securely in place.

E-Coating An electrodeposition coating helps protect critical steel components.

Laser-Cut Tubing Precision laser cutters create precise joints in structural steel that are stronger and require less welding.



Interlocking Joints Specially engineered interlocking joints connect the floor, sidewalls and roof where competitors often rely on simple screws to bear the weight.

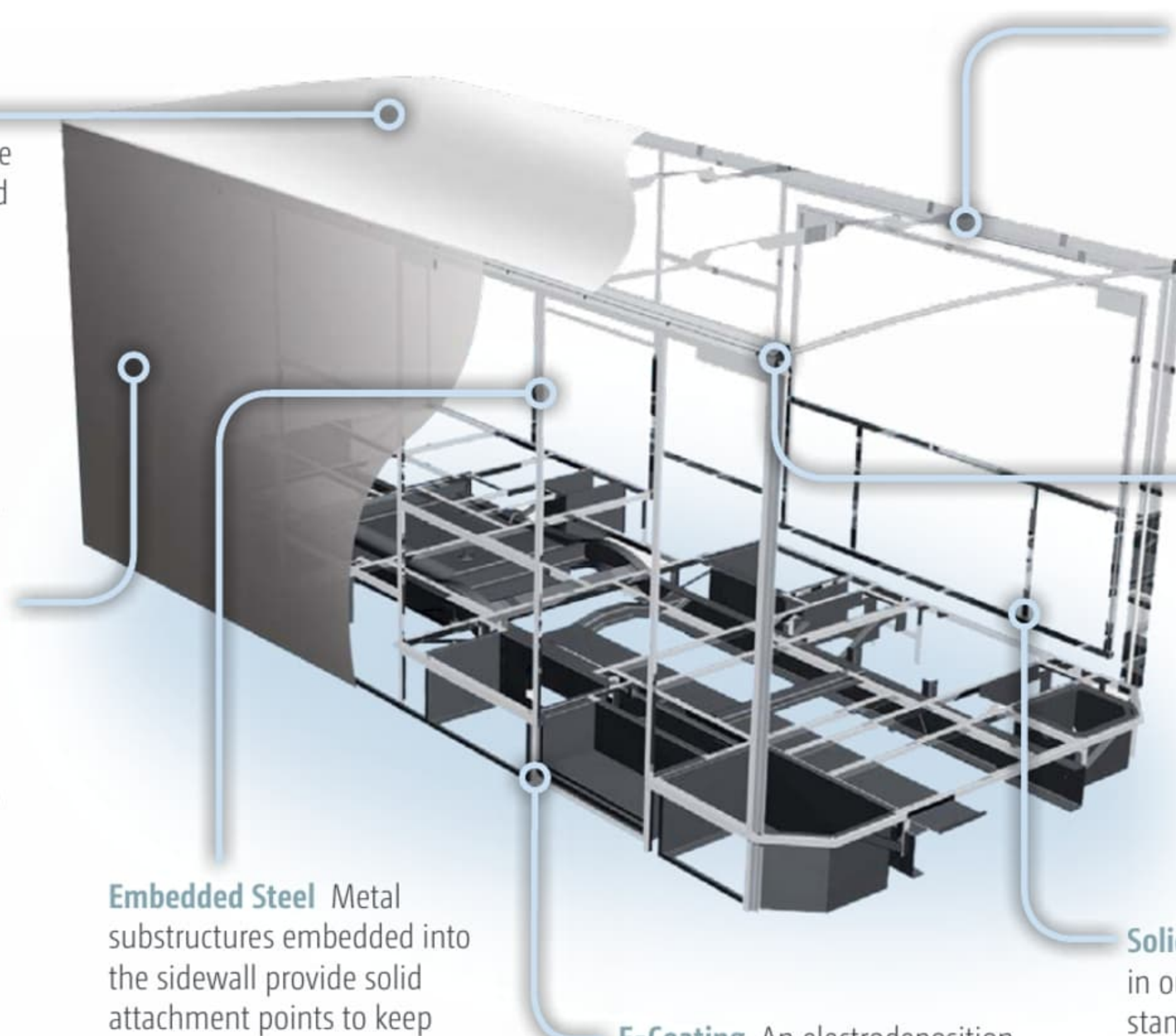


Solid Framework Aluminum extruded in our own facility to our exacting standards creates an extremely strong and solid structural framework.

SUPER STRUCTURE

BUILT TO LAST

Every coach—from our smallest Class C to our largest diesel-pusher model—is built to Winnebago Industries'® legendary SuperStructure® construction standards. It's a process developed and refined over more than 50 years of building some of the strongest, most durable coaches in the industry.



Fiberglass Roof

The crowned, one-piece fiberglass roof is backed by a 10-year limited parts-and-labor roof skin warranty.

Rubber Can't Cut It

Rubber roofs used by competitors can streak and degrade over time.

Thermo-Panel® Sidewalls

By layering fiberglass and high-density block foam insulation with welded aluminum support structures, we create some of the industry's strongest, most durable and lightweight sidewalls.

Embedded Steel Metal substructures embedded into the sidewall provide solid attachment points to keep cabinets and appliances mounted securely in place.

E-Coating An electrodeposition coating helps protect critical steel components.

Laser-Cut Tubing Precision laser cutters create precise joints in structural steel that are stronger and require less welding.



Interlocking Joints Specially engineered interlocking joints connect the floor, sidewalls and roof where competitors often rely on simple screws to bear the weight.



Solid Framework Aluminum extruded in our own facility to our exacting standards creates an extremely strong and solid structural framework.

SUPER STRUCTURE

BUILT TO LAST

Every coach—from our smallest Class C to our largest diesel-pusher model—is built to Winnebago Industries'® legendary SuperStructure® construction standards. It's a process developed and refined over more than 50 years of building some of the strongest, most durable coaches in the industry.



TESTING Before rolling out of our factories, every coach undergoes an extensive 113-point inspection. Each coach also passes a high-pressure water test that simulates rain at a rate of 50-inches per hour to check for leaks. During the design process, our computer simulations, physical testing center, and rigorous test track ensure each model is built to last.



DETAILS At Winnebago Industries, we treat the features you can't see with the same care as the ones you can. Look in the access panels of some of our competitors' coaches and you'll see loose insulation and wires haphazardly strewn about. Winnebago Industries maintains a clean fit and finish throughout so your coach will last for the long haul.



BUILT IN-HOUSE We extrude our own aluminum. We rotocast our own plastic components. In fact, we manufacture most of our own parts so they are designed to fit the space, rather than fitting the space to an awkward off-the-shelf component size.



**SUPER
STRUCTURE**
BUILT TO LAST

 Visit BetterBuiltRVs.com to gain real insight into what goes into a Winnebago Industries motorhome.

TAKE A TOUR We're proud of our processes, state-of-the-art facilities, and the people who make Winnebago Industries number one. We invite you to visit our complex in Forest City, Iowa, for a first-hand look at the dedication and technology behind every motorhome we build.





TESTING

Before rolling out of our factories, every coach undergoes an extensive 113-point inspection. Each coach also passes a high-pressure water test that simulates rain at a rate of 50-inches per hour to check for leaks. During the design process, our computer simulations, physical testing center, and rigorous test track ensure each model is built to last.



DETAILS

At Winnebago Industries, we treat the features you can't see with the same care as the ones you can. Look in the access panels of some of our competitors' coaches and you'll see loose insulation and wires haphazardly strewn about. Winnebago Industries maintains a clean fit and finish throughout so your coach will last for the long haul.



BUILT IN-HOUSE

We extrude our own aluminum. We rotocast our own plastic components. In fact, we manufacture most of our own parts so they are designed to fit the space, rather than fitting the space to an awkward off-the-shelf component size.



SUPER STRUCTURE

BUILT TO LAST

 Visit BetterBuiltRVs.com to gain real insight into what goes into a Winnebago Industries motorhome.

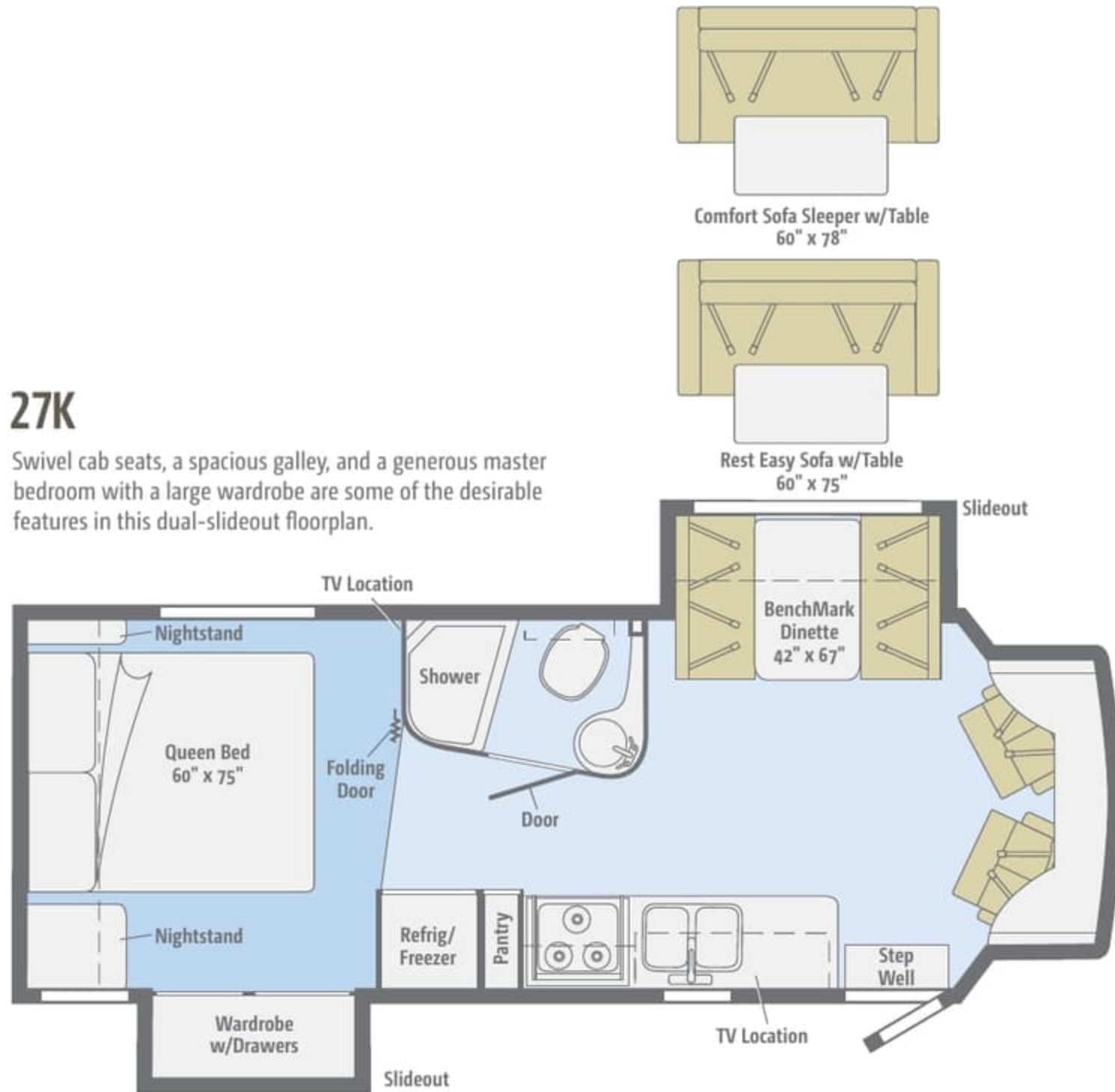
TAKE A TOUR

We're proud of our processes, state-of-the-art facilities, and the people who make Winnebago Industries number one. We invite you to visit our complex in Forest City, Iowa, for a first-hand look at the dedication and technology behind every motorhome we build.



27K

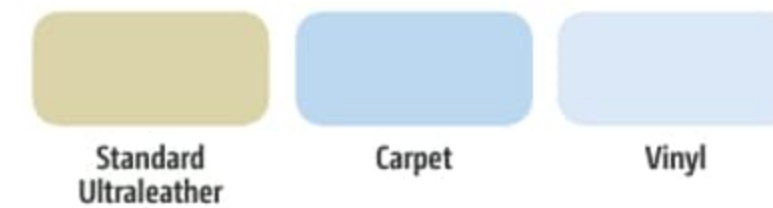
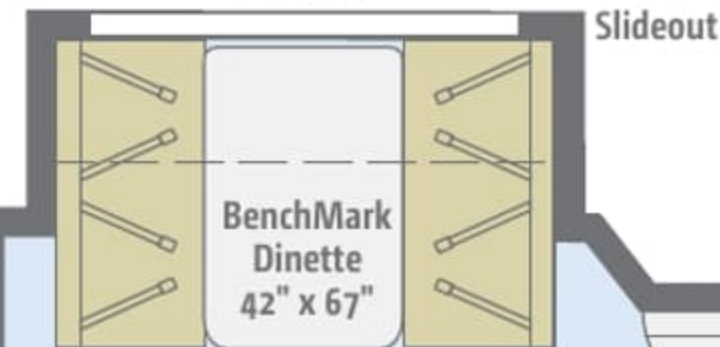
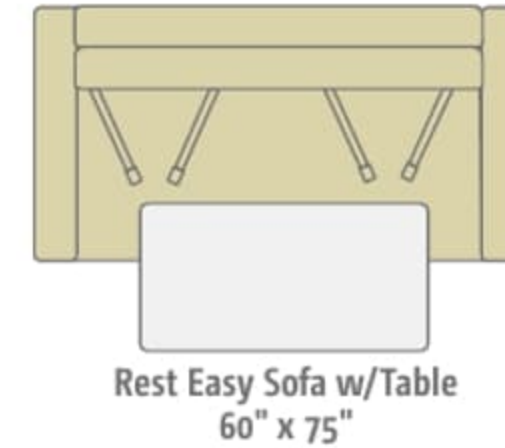
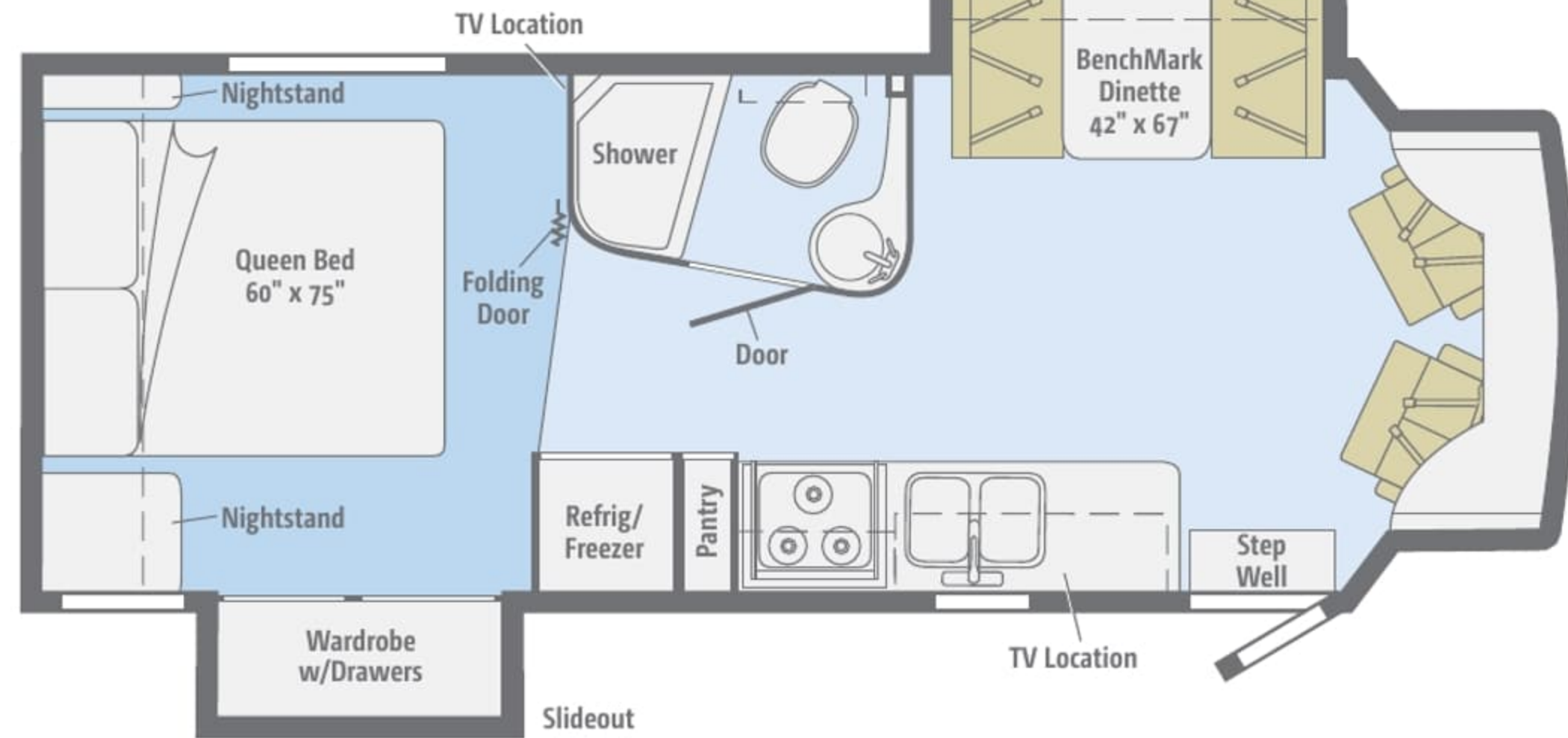
Swivel cab seats, a spacious galley, and a generous master bedroom with a large wardrobe are some of the desirable features in this dual-slideout floorplan.



Dimensions shown are for sleeping space only and may vary due to styling differences. Dashed lines denote overhead storage areas. Floorplans and specifications are also available online at GoWinnebago.com.

27K

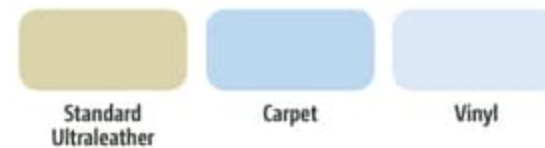
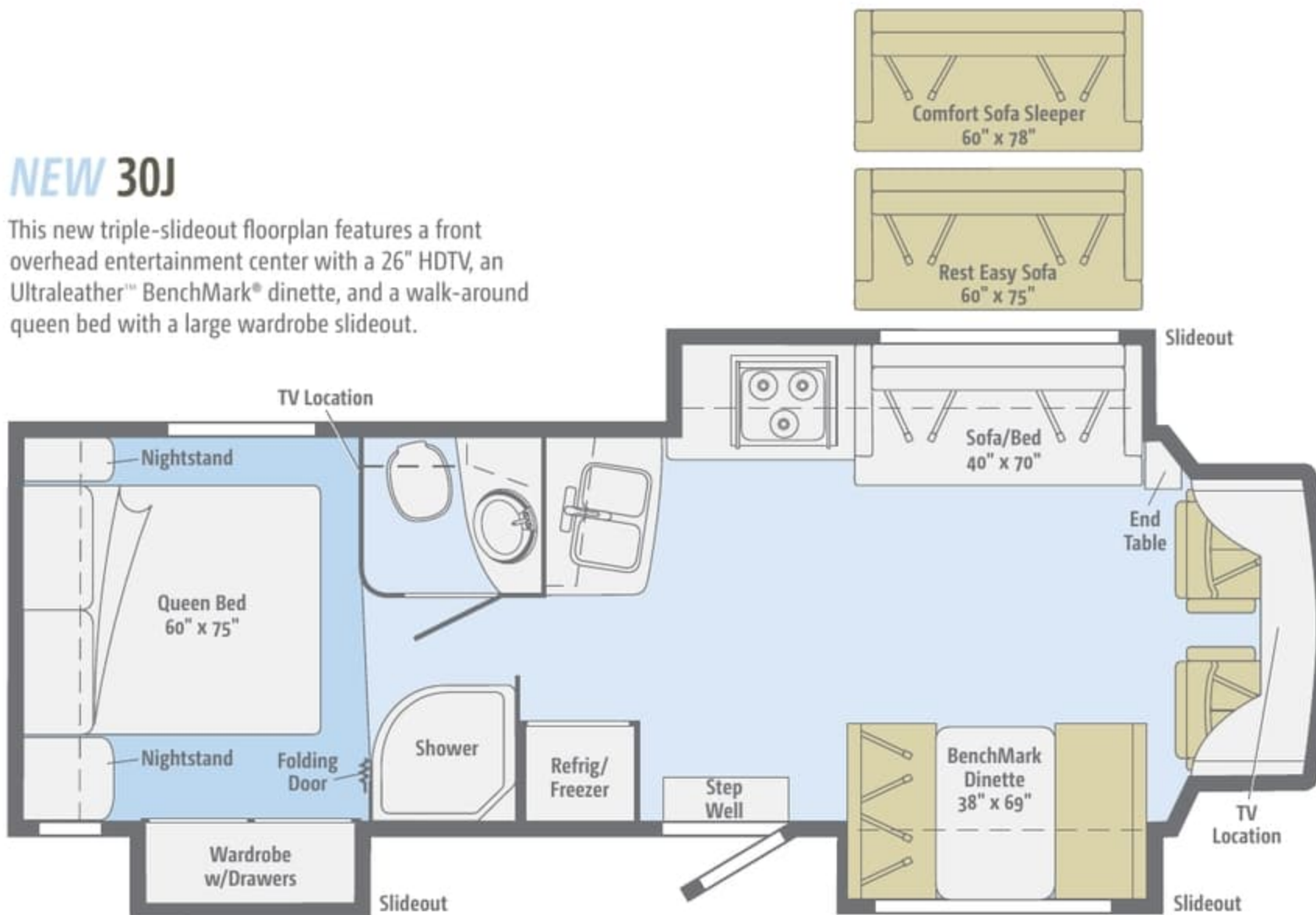
Swivel cab seats, a spacious galley, and a generous master bedroom with a large wardrobe are some of the desirable features in this dual-slideout floorplan.



Dimensions shown are for sleeping space only and may vary due to styling differences. Dashed lines denote overhead storage areas. Floorplans and specifications are also available online at GoWinnebago.com.

NEW 30J

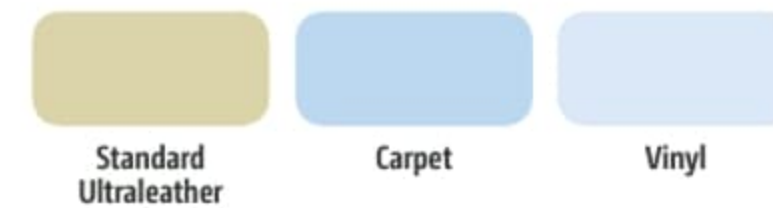
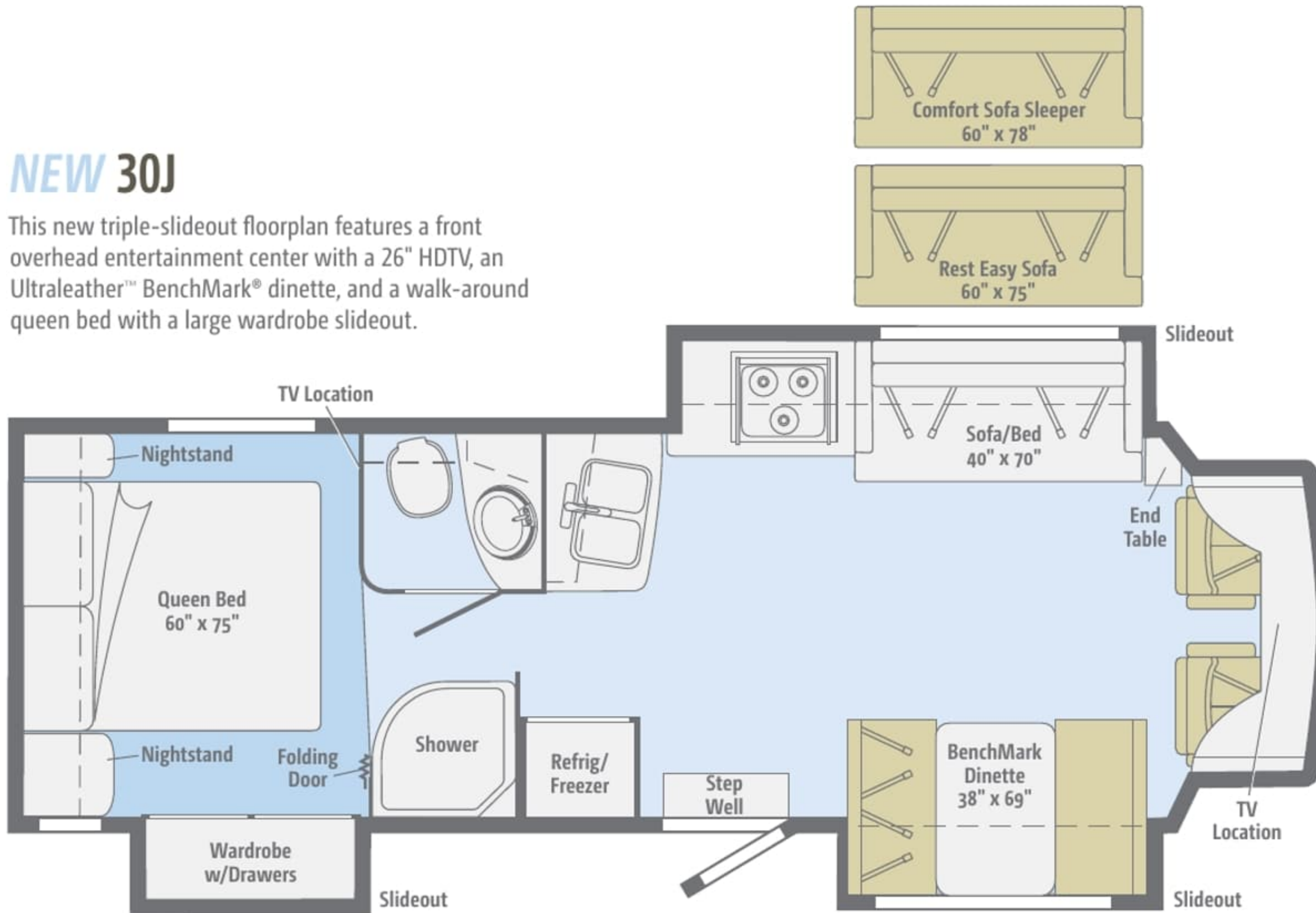
This new triple-slideout floorplan features a front overhead entertainment center with a 26" HDTV, an Ultraleather™ BenchMark® dinette, and a walk-around queen bed with a large wardrobe slideout.



Dimensions shown are for sleeping space only and may vary due to styling differences. Dashed lines denote overhead storage areas. Floorplans and specifications are also available online at GoWinnebago.com.

NEW 30J

This new triple-slideout floorplan features a front overhead entertainment center with a 26" HDTV, an Ultraleather™ BenchMark® dinette, and a walk-around queen bed with a large wardrobe slideout.



Dimensions shown are for sleeping space only and may vary due to styling differences. Dashed lines denote overhead storage areas. Floorplans and specifications are also available online at GoWinnebago.com.

Choose from three fabric collections and four wood finishes, each with Satin Nickel hardware.

Fracture



Main



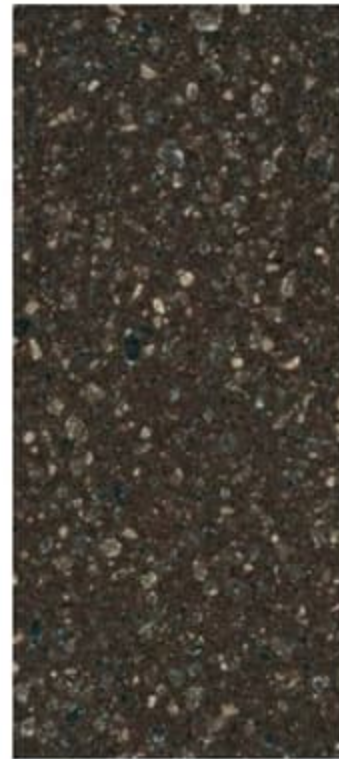
Ultraleather



Accent



Bedsread



Corian Countertop



Wall Board



Carpet



Vinyl



Honey Cherry



Forest Cherry



Coffee-Glazed Vienna Maple



Coffee-Glazed Honey Cherry

Choose from three fabric collections and four wood finishes, each with Satin Nickel hardware.

Fracture



Main



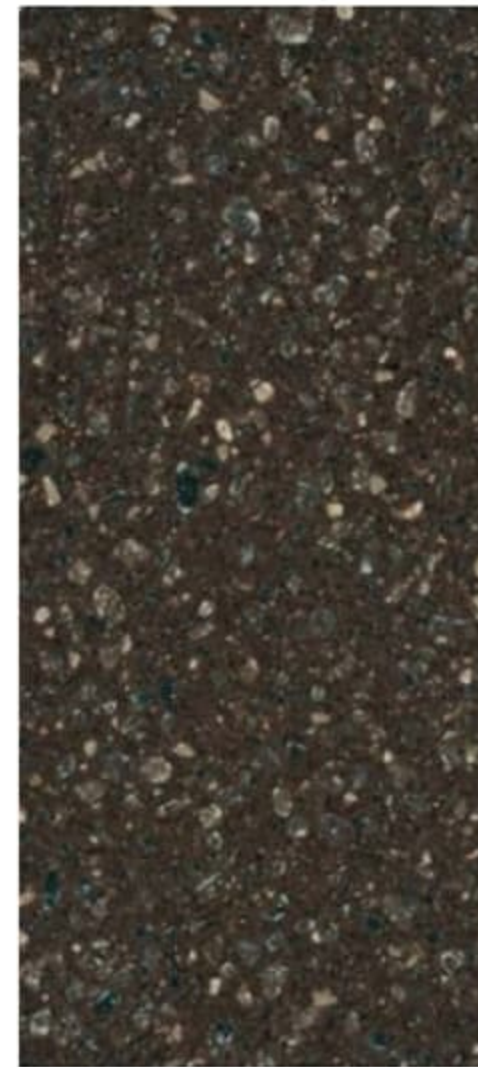
Ultraleather



Accent



Bedspread



Corian Countertop



Wall Board



Carpet



Vinyl



Honey Cherry



Forest Cherry



Coffee-Glazed Vienna Maple



Coffee-Glazed Honey Cherry

Choose from three fabric collections and four wood finishes, each with Satin Nickel hardware.

Arctic



Main



Ultraleather



Accent



Bedsread



Corian Countertop



Wall Board



Carpet



Vinyl



Honey Cherry



Forest Cherry



Coffee-Glazed Vienna Maple



Coffee-Glazed Honey Cherry

Choose from three fabric collections and four wood finishes, each with Satin Nickel hardware.

Arctic



Main



Ultraleather



Accent



Bedspread



Corian Countertop



Wall Board



Carpet



Vinyl



Honey Cherry



Forest Cherry



Coffee-Glazed Vienna Maple



Coffee-Glazed Honey Cherry

Choose from three fabric collections and four wood finishes, each with Satin Nickel hardware.

Mountain View



Main



Ultraleather



Accent



Bedspread



Corian Countertop



Wall Board



Carpet



Vinyl



Honey Cherry



Forest Cherry



Coffee-Glazed Vienna Maple



Coffee-Glazed Honey Cherry

Choose from three fabric collections and four wood finishes, each with Satin Nickel hardware.

Mountain View



Main



Ultraleather



Accent



Bedspread



Corian Countertop



Wall Board



Carpet



Vinyl



Honey Cherry



Forest Cherry



Coffee-Glazed Vienna Maple



Coffee-Glazed Honey Cherry



Deluxe graphics and fiberglass running boards come standard.
Upgrade to full-body paint for even more curb appeal.



Cobblestone
DELUXE GRAPHICS



Scarlet
DELUXE GRAPHICS

Deluxe graphics and fiberglass running boards come standard.
Upgrade to full-body paint for even more curb appeal.



Cobblestone
DELUXE GRAPHICS



Scarlet
DELUXE GRAPHICS

Deluxe graphics and fiberglass running boards come standard. Upgrade to full-body paint for even more curb appeal.



Windveil
FULL-BODY PAINT



Ember
FULL-BODY PAINT



Silver Smoke
FULL-BODY PAINT



Oakwood
FULL-BODY PAINT

Deluxe graphics and fiberglass running boards come standard. Upgrade to full-body paint for even more curb appeal.



Windveil
FULL-BODY PAINT



Ember
FULL-BODY PAINT



Silver Smoke
FULL-BODY PAINT



Oakwood
FULL-BODY PAINT

Weights & Measures

	27K	30J
Length	29'4"	32'5"
Exterior Height ¹	10'8"	10'8"
Exterior Width	7'11"	7'11"
Exterior Storage ² (cu. ft.)	82.2	78.3
Awning Length	12'	15'
Interior Height	6'5"	6'5"
Interior Width	7'8"	7'8"
Freshwater Tank Capacity ³ (gal.)	34	34
Water Heater Capacity (gal.)	6	6
Optional Tankless Water Heater Capacity (gal.)	Continuous	Continuous
Holding Tank Capacity - Black/Gray ³ (gal.)	34/31	26/34
LP Capacity ⁴ (gal.)	18	18
Fuel Capacity (gal.)	55	55
GCWR ⁵ (lbs.)	22,000	22,000
GVWR (lbs.)	14,500	14,500
GAWR - Front (lbs.)	5,000	5,000
GAWR - Rear (lbs.)	9,600	9,600
Wheelbase	200"	220"

Cab Conveniences

Cab seats armrests, lumbar support and multi-adjustable slide/recline

Cab seats w/swivel pedestal (27K)

Radio/Rearview Monitor System 6" LCD color touch screen, remote, iPod®/MP3 input, rear color camera

Dual airbags

3-point seat belts

Chassis/house battery radio power switch

Tilt steering wheel

Cruise control

Power steering

12-volt powerpoints

Power door locks

Sunvisors

Power exterior mirrors w/defrost

OPTIONAL EQUIPMENT

Infotainment Center with Rand McNally RV GPS 6" touch screen color monitor w/split screen function, Rand McNally RV GPS safe and easy routing, amenities and tools, trips and content, turn-by-turn voice guidance, AM/FM radio w/CD/DVD player, handheld remote, SiriusXM™ (subscription not included), compass, outside temperature, iPod/iPhone® audio integration, Bluetooth™, color rearview camera

Cab seats w/swivel pedestal (30J)

Sideview color camera system (cameras mounted to exterior mirrors)

SiriusXM Receiver (subscription not included), remote, ipod interface connector

Interior

Home Theater Sound System receiver, DVD player, amplifier, 5 speakers, subwoofer

26" HDTV

LED lights

Satellite system ready

Video selection system

Ford® E450 Chassis

305-hp 6.8L V10 SEFI Triton® engine

TorqShift™ 5-speed automatic transmission w/overdrive

120-amp. alternator

4-wheel ABS

Trailer Hitch 5,000-lb. drawbar/350-lb. maximum vertical tongue weight and wiring w/7-pin connector

Stainless steel wheel liners

Rear auxiliary air springs

OPTIONAL EQUIPMENT

Hydraulic leveling jacks w/automatic controls

Stylized aluminum wheels



Ford E450 Chassis

Weights & Measures

	27K	30J
Length	29'4"	32'5"
Exterior Height ¹	10'8"	10'8"
Exterior Width	7'11"	7'11"
Exterior Storage ² (cu. ft.)	82.2	78.3
Awning Length	12'	15'
Interior Height	6'5"	6'5"
Interior Width	7'8"	7'8"
Freshwater Tank Capacity ³ (gal.)	34	34
Water Heater Capacity (gal.)	6	6
Optional Tankless Water Heater Capacity (gal.)	Continuous	Continuous
Holding Tank Capacity - Black/Gray ³ (gal.)	34/31	26/34
LP Capacity ⁴ (gal.)	18	18
Fuel Capacity (gal.)	55	55
GCWR ⁵ (lbs.)	22,000	22,000
GVWR (lbs.)	14,500	14,500
GAWR - Front (lbs.)	5,000	5,000
GAWR - Rear (lbs.)	9,600	9,600
Wheelbase	200"	220"

Ford® E450 Chassis

305-hp 6.8L V10 SEFI Triton® engine

TorqShift™ 5-speed automatic transmission w/overdrive

120-amp. alternator

4-wheel ABS

Trailer Hitch⁵ 5,000-lb. drawbar/350-lb. maximum vertical tongue weight and wiring w/7-pin connector

Stainless steel wheel liners

Rear auxiliary air springs

OPTIONAL EQUIPMENT

Hydraulic leveling jacks w/automatic controls

Stylized aluminum wheels



Ford E450
Chassis

Cab Conveniences

Cab seats armrests, lumbar support and multi-adjustable slide/recline

Cab seats w/swivel pedestal (27K)

Radio/Rearview Monitor System 6" LCD color touch screen, remote, iPod®/MP3 input, rear color camera

Dual airbags

3-point seat belts

Chassis/house battery radio power switch

Tilt steering wheel

Cruise control

Power steering

12-volt powerpoints

Power door locks

Sunvisors

Power exterior mirrors w/defrost

OPTIONAL EQUIPMENT

Infotainment Center with Rand McNally RV GPS 6" touch screen color monitor w/split screen function, Rand McNally RV GPS safe and easy routing, amenities and tools, trips and content, turn-by-turn voice guidance, AM/FM radio w/CD/DVD player, handheld remote, SiriusXM™ (subscription not included), compass, outside temperature, iPod/iPhone® audio integration, Bluetooth™, color rearview camera

Cab seats w/swivel pedestal (30J)

Sideview color camera system (cameras mounted to exterior mirrors)

SiriusXM Receiver (subscription not included), remote, ipod interface connector

Interior

Home Theater Sound System receiver, DVD player, amplifier, 5 speakers, subwoofer

26" HDTV

LED lights

Satellite system ready

Video selection system



Front privacy curtain

MCD blackout roller shades

Soft vinyl ceilings

Tinted windows

Amplified digital TV antenna

OnePlace® systems center

Powered roof vent (bath and bedroom)

Roof vent (lounge)

Key-activated slideroom master lock switch

OPTIONAL EQUIPMENT

Skylight w/sliding screen, shade, and vent

Interior Upgrade Package rope lighting, galley backsplash, dash and beverage tray appliqué, carpet floor mats in the cab, decorative picture (NA 27K), Corian® sink and range covers, raised-panel stile-and-rail refrigerator door insert, 2 sofa throw pillows, MCD solar/blackout roller shades

Winegard® automatic satellite TV antenna system

Winegard HD-ready in-motion satellite dish antenna system

Contour windows

Galley

Corian countertops

Flip-up Corian countertop extension (30J)

2-door refrigerator/freezer

3-burner range top w/storage below

Microwave oven w/vented range fan

OPTIONAL EQUIPMENT

Cold water filtration system

Stainless steel microwave/convection oven w/range fan

Bath

Laminate countertop

Skylight

Flexible showerhead

Curved textured glass shower door (30J)

Retractable, self-cleaning screen shower door (27K)

Porcelain toilet

Water pump switch

Bedroom

Queen bed w/foam mattress, headboard, bedspread, pillows and pillow shams

22" DC HDTV

OPTIONAL EQUIPMENT

Ideal Rest® Nouveau digital control mattress w/remotes

Exterior

Powered patio awning w/metal wrap w/LED lighting

Porch light

Stepwell light

Premium high-gloss skin

Rear mud flaps

Large rear storage compartment w/rotocast compartments w/drain plugs, cover/30" x 72" folding table

Fiberglass running boards w/wheel lips

OPTIONAL EQUIPMENT

Entertainment Center AM/FM stereo, CD/DVD player w/remote, audio and video jacks

Heating & Cooling System

15,000 BTU roof-mount A/C w/heat pump

30,000 BTU low-profile, ducted furnace

Electrical System

Exterior AC duplex receptacle and TV jack

4,000-watt Cummins Onan® MicroQuiet™ gas generator

AC/DC load center, 45-amp. converter/charger

Power Cord Compartment 30-amp. power cord, shoreline/generator automatic changeover switch

Coach battery disconnect system

Automatic dual-battery charge control

Auxiliary start circuit

Two deep-cycle, Group 31 batteries on a slide-out tray

OPTIONAL EQUIPMENT

1,000-watt DC/AC inverter

Plumbing System

Rear Trunk w/Service Center cable TV input, portable satellite dish hookup, pressurized city water hookup w/diverter valve, exterior wash station w/lighted pump switch

Drainage valve compartment

Water tank fill w/lockable door

10' sewer hose

6-gallon electric ignition, 110 V/LP water heater w/Energy Management System (EMS)

TrueLevel™ holding-tank monitoring system

Winterization Package water heater bypass valve and siphon tube

Permanent-mount LP tank w/gauge

Heated holding-tank compartment

On-demand water pump

OPTIONAL EQUIPMENT

Tankless water heater

Safety

Child seat tether anchor (dinette)

LP, smoke, and carbon monoxide detectors

10 BC fire extinguisher

Ground fault interrupter

High-mount brake lamps

Warranty⁶

12-month/15,000-mile basic limited warranty⁷

36-month/36,000-mile limited warranty on structure⁷

10-year limited parts-and-labor warranty on roof skin⁷

¹ The height of each model is measured to the top of the tallest standard feature and is based on the curb weight of a typically equipped unit. The actual height of your vehicle may vary by several inches depending on chassis or equipment variations. Please contact your dealer for further information.

² The load capacity of your motorhome is designated by weight, not by volume, so you cannot necessarily use all available space when loading your motorhome.

³ Capacities are based on measurements prior to tank installation. Slight capacity variations can result due to installation applications.

⁴ Capacities shown are tank manufacturer's listed water capacity (WC). Actual filled LP capacity is 80% of listing due to overfilling prevention device on tank.

⁵ Actual towing capacity is dependent on your particular loading and towing circumstances which includes the GVWR, GAWR, and GCWR, as well as adequate trailer brakes. Please refer to the Operator's Manual of your vehicle for further towing information.

⁶ See separate chassis warranty.

⁷ See your dealer for complete warranty information.

Winnebago Industries' continuing program of product improvement makes specifications, equipment, model availability, and prices subject to change without notice. Published content reflects the most current product information at time of printing. Please consult your dealer for individual vehicle features and specifications.

Front privacy curtain

MCD blackout roller shades

Soft vinyl ceilings

Tinted windows

Amplified digital TV antenna

OnePlace® systems center

Powered roof vent (bath and bedroom)

Roof vent (lounge)

Key-activated slideroom master lock switch

OPTIONAL EQUIPMENT

Skylight w/sliding screen, shade, and vent

Interior Upgrade Package rope lighting, galley backsplash, dash and beverage tray appliqué, carpet floor mats in the cab, decorative picture (NA 27K), Corian® sink and range covers, raised-panel stile-and-rail refrigerator door insert, 2 sofa throw pillows, MCD solar/blackout roller shades

Winegard® automatic satellite TV antenna system

Winegard HD-ready in-motion satellite dish antenna system

Contour windows

Galley

Corian countertops

Flip-up Corian countertop extension (30J)

2-door refrigerator/freezer

3-burner range top w/storage below

Microwave oven w/vented range fan

OPTIONAL EQUIPMENT

Cold water filtration system

Stainless steel microwave/convection oven w/range fan

Bath

Laminate countertop

Skylight

Flexible showerhead

Curved textured glass shower door (30J)

Retractable, self-cleaning screen shower door (27K)

Porcelain toilet

Water pump switch

Bedroom

Queen bed w/foam mattress, headboard, bedspread, pillows and pillow shams

22" DC HDTV

OPTIONAL EQUIPMENT

Ideal Rest® Nouveau digital control mattress w/remotes

Exterior

Powered patio awning w/metal wrap w/LED lighting

Porch light

Stepwell light

Premium high-gloss skin

Rear mud flaps

Large rear storage compartment w/rotocast compartments w/drain plugs, cover/30" x 72" folding table

Fiberglass running boards w/wheel lips

OPTIONAL EQUIPMENT

Entertainment Center AM/FM stereo, CD/DVD player w/remote, audio and video jacks

Heating & Cooling System

15,000 BTU roof-mount A/C w/heat pump

30,000 BTU low-profile, ducted furnace

Electrical System

Exterior AC duplex receptacle and TV jack

4,000-watt Cummins Onan® MicroQuiet™ gas generator

AC/DC load center, 45-amp. converter/charger

Power Cord Compartment 30-amp. power cord, shoreline/generator automatic changeover switch

Coach battery disconnect system

Automatic dual-battery charge control

Auxiliary start circuit

Two deep-cycle, Group 31 batteries on a slide-out tray

OPTIONAL EQUIPMENT

1,000-watt DC/AC inverter

Plumbing System

Rear Trunk w/Service Center cable TV input, portable satellite dish hookup, pressurized city water hookup w/diverter valve, exterior wash station w/lighted pump switch

Drainage valve compartment

Water tank fill w/lockable door

10' sewer hose

6-gallon electric ignition, 110 V/LP water heater w/Energy Management System (EMS)

TrueLevel™ holding-tank monitoring system

Winterization Package water heater bypass valve and siphon tube

Permanent-mount LP tank w/gauge

Heated holding-tank compartment

On-demand water pump

OPTIONAL EQUIPMENT

Tankless water heater

Safety

Child seat tether anchor (dinette)

LP, smoke, and carbon monoxide detectors

10 BC fire extinguisher

Ground fault interrupter

High-mount brake lamps

Warranty⁶

12-month/15,000-mile basic limited warranty⁷

36-month/36,000-mile limited warranty on structure⁷

10-year limited parts-and-labor warranty on roof skin⁷

- 1 The height of each model is measured to the top of the tallest standard feature and is based on the curb weight of a typically equipped unit. The actual height of your vehicle may vary by several inches depending on chassis or equipment variations. Please contact your dealer for further information.
- 2 The load capacity of your motorhome is designated by weight, not by volume, so you cannot necessarily use all available space when loading your motorhome.
- 3 Capacities are based on measurements prior to tank installation. Slight capacity variations can result due to installation applications.
- 4 Capacities shown are tank manufacturer's listed water capacity (W.C.). Actual filled LP capacity is 80% of listing due to overfilling prevention device on tank.
- 5 Actual towing capacity is dependent on your particular loading and towing circumstances which includes the GVWR, GAWR, and GCWR, as well as adequate trailer brakes. Please refer to the Operator's Manual of your vehicle for further towing information.
- 6 See separate chassis warranty.
- 7 See your dealer for complete warranty information.

Winnebago Industries™ continuing program of product improvement makes specifications, equipment, model availability, and prices subject to change without notice. Published content reflects the most current product information at time of printing. Please consult your dealer for individual vehicle features and specifications.

GoWinnebago.com Has All The Answers

Visit GoWinnebago.com on your computer, smartphone or tablet for the latest product information and updates.



PREFERRED CARE PROGRAM

We back our motorhomes with best-in-class support both before *and* after the sale:

- 12-month/15,000-mile basic limited warranty
- 36-month/36,000-mile limited warranty on structure
- 10-year limited parts-and-labor warranty on roof skin
- Complimentary 24-hour roadside assistance program



TRIPSaver
FAST TRACK PARTS

- TripSaver® Fast Track Parts guarantees that in-stock warranty parts ship directly to your dealer within 24 hours
- National dealer service network



WIT CLUB

Join the Club, Join the Fun

As a Winnebago motorhome owner, you are invited to join the WIT Club. It's a great way to take full advantage of your new coach and meet fun-loving WIT Club members from across the country who make motorhome adventures a way of life.



Members enjoy:

- Caravans and rallies
- Newsletters
- Local and state group activities
- RV travel benefits

See more at WITclub.com



Grand National Rally

In 1969, two things happened: Neil Armstrong took mankind's first steps on the moon, and Winnebago Industries' WIT Club launched its first Grand National Rally in Forest City, Iowa. Every year since then, thousands of rally-goers connect with old friends to enjoy concerts, tours, activities, and more. Blast off for an adventurous week in July to celebrate 45 years of interstate land roving at the 2014 "Out of This World" Grand National Rally. It's a mission you'll never forget!

GoWinnebago.com Has All The Answers

Visit GoWinnebago.com on your computer, smartphone or tablet for the latest product information and updates.



PREFERRED CARE PROGRAM

We back our motorhomes with best-in-class support both before *and* after the sale:

- 12-month/15,000-mile basic limited warranty
- 36-month/36,000-mile limited warranty on structure
- 10-year limited parts-and-labor warranty on roof skin
- Complimentary 24-hour roadside assistance program



TRIP Saver
FAST TRACK PARTS

- TripSaver® Fast Track Parts guarantees that in-stock warranty parts ship directly to your dealer within 24 hours
- National dealer service network



WIT CLUB

Join the Club, Join the Fun

As a Winnebago motorhome owner, you are invited to join the WIT Club. It's a great way to take full advantage of your new coach and meet fun-loving WIT Club members from across the country who make motorhome adventures a way of life.



Members enjoy:

- Caravans and rallies
- Newsletters
- Local and state group activities
- RV travel benefits

See more at WITclub.com



Grand National Rally

In 1969, two things happened: Neil Armstrong took mankind's first steps on the moon, and Winnebago Industries' WIT Club launched its first Grand National Rally in Forest City, Iowa. Every year since then, thousands of rally-goers connect with old friends to enjoy concerts, tours, activities, and more. Blast off for an adventurous week in July to celebrate 45 years of interstate land roving at the 2014 "Out of This World" Grand National Rally. It's a mission you'll never forget!