



Generations of family fun.

REDHAWK™ · GREYHAWK™ · MELBOURNE™



REDHAWK · GREYHAWK · MELBOURNE

**2**  
**YEAR**  
WARRANTY

HANDS DOWN, THE BEST RIDE

2017





#LETSJAYCO

Where do you want to go? With Jayco, you're headed straight for family fun—regardless of the destination. From wooded campgrounds to sandy beaches, swimming hole docks to scenic highways, maximize the moment with unmatched quality and added comfort. So what are you waiting for? Make new memories—and share them with the world.

## GENERATIONS OF FAMILY FUN



### **Redhawk:** Page 4

Uncompromising construction and design make the reliable Redhawk one of the best values in its class



### **Greyhawk:** Page 6

Fully loaded and then some, the Greyhawk's array of features makes camping comfortable and, of course, fun



### **Melbourne:** Page 8

Fuel-conscious and agile, able-bodied and durable—the Melbourne is built ready for adventure after adventure



## CLASS C MOTORHOMES

# REDHAWK™ GREYHAWK™ MELBOURNE™

## MAJOR COMFORT FOR MAXIMUM FUN

From large and luxurious to compact and ready to roll, Jayco's 2017 Class C lineup has something for every kind of RVer. Strategic floorplans maximize space and no detail is spared, making these motorhomes as smooth and comfortable on the road as they are at camp.

## WE CARE ABOUT GETTING THERE AS MUCH AS BEING THERE

JRide\* is a powerful blend of precise handling and renowned stability. Hands down, it's the best ride. Experience JRide for yourself—visit your local dealer and take a test drive.




A REDHAWK STANDARD

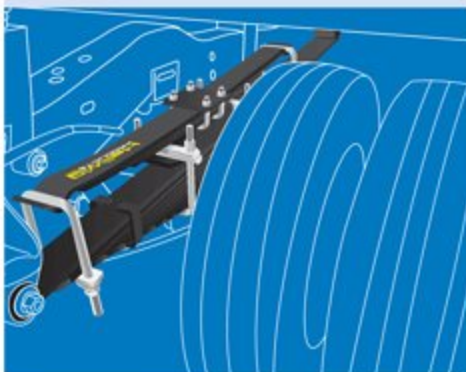



A GREYHAWK STANDARD

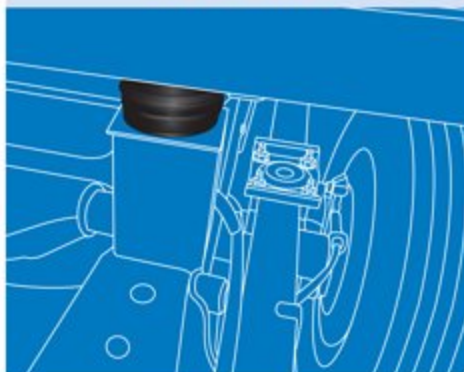
<http://www.jayco.com/products/class-c-motorhomes/2017-redhawk/jride/>

<http://www.jayco.com/products/class-c-motorhomes/2017-greyhawk/jride-plus/>

## HELLWIG® HELPER SPRINGS




Work with the chassis' existing springs to give the RV more support, improving stability under heavy loads

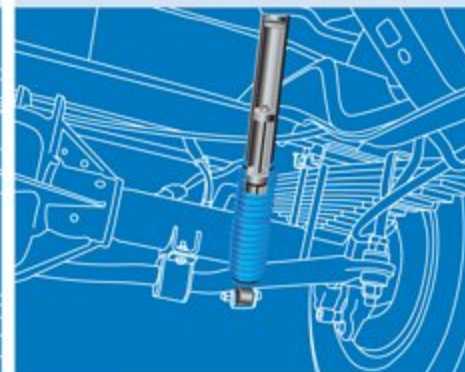
RUBBER ISOLATION  
BODY MOUNTS


Positioned near the tires to absorb road shock, dampen noise and minimize vibrations

COMPUTER-BALANCED  
DRIVESHAFT

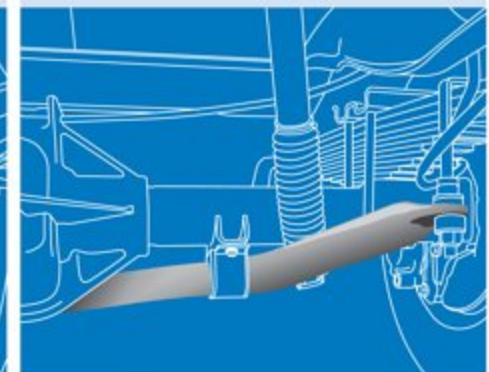

Ensures smooth and efficient power transfer to the wheels

## BILSTEIN® SHOCK ABSORBERS




Feature a unique monotube gas-pressure design that provides optimum ride quality and vehicle control; Bilstein shock absorbers last 2-3 times longer than the conventional twin tube piston and are found in many high-end luxury vehicles

## HEAVY-DUTY STABILIZER BAR




Reduces the body roll of a vehicle during fast cornering or over road irregularities





## REDHAWK

Jayco's unmatched craftsmanship, superior handling and a spacious interior that sleeps up to 10 make the 2017 Redhawk one of the best values in the Class C lineup.





## REDHAWK FLOORPLANS



REDHAWK | 23X2 (CHEVROLET® CHASSIS)



REDHAWK | 23XM (FORD® CHASSIS)



REDHAWK | 26X1 (CHEVROLET CHASSIS)



REDHAWK | 26XD (FORD CHASSIS)



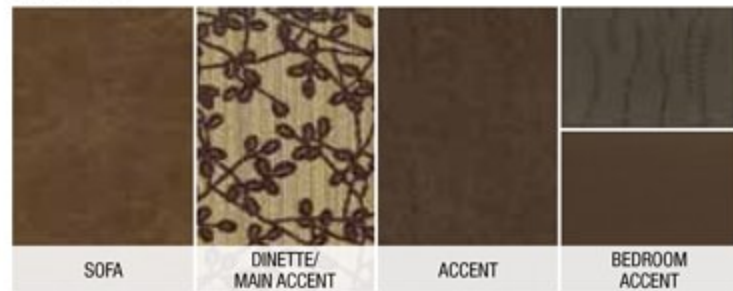
REDHAWK | 29XK (FORD CHASSIS)



REDHAWK | 31XL (FORD CHASSIS)

## REDHAWK INTERIOR DÉCOR

### CHESTNUT



### DOVE



### SAND DOLLAR



## REDHAWK SPECS

MODELS	DIMENSIONS					TANKS (GALS.)			
	FLOORPLAN	EXTERIOR LENGTH	EXTERIOR WIDTH	EXTERIOR HEIGHT (WITH A/C)	INTERIOR HEIGHT	WHEEL BASE	FRESH WATER CAPACITY (INCLUDES WATER HEATER)	GREY WASTE WATER CAPACITY	BLACK WASTE WATER CAPACITY
23X2		26' 8"	100"	11' 6"	84"	181"	43.5	34	32
23XM		26' 8"	100"	11' 6"	84"	181"	43.5	41	32
26X1		28' 8"	100"	11' 5"	84"	181"	47	41	32
26XD		28' 8"	100"	11' 5"	84"	181"	47	41	32
29XK		32' 5"	100"	11' 6"	84"	223"	43.5	41	32
31XL		32' 5"	100"	11' 6"	84"	223"	47	41	32





## GREYHAWK

Adventures may take you far and wide, but with residential finishes and technology throughout, you'll feel at home wherever your destination may be.

### MAIN INTERIOR KEY

1. Solid-surface countertops
2. Raised-panel cabinetry
3. Day/night roller shades
4. Glass backsplash



WELL-APPOINTED DRIVING CABIN



ENTERTAINMENT CENTER (OPTIONAL)



SPACIOUS 4-DOOR, 12-CU.-FT. REFRIGERATOR





GREYHAWK | 29ME



GREYHAWK | 29MV



GREYHAWK | 29W



GREYHAWK | 31DS



GREYHAWK | 31FK



GREYHAWK | 31FS

GREYHAWK INTERIOR DÉCOR

ALMOND



CAPPUCCINO



COFFEE



FRENCH VANILLA



GREYHAWK SPECS

MODELS	DIMENSIONS					TANKS (GALS.)			
	FLOORPLAN	EXTERIOR LENGTH	EXTERIOR WIDTH	EXTERIOR HEIGHT (WITH A/C)	INTERIOR HEIGHT	WHEEL BASE	FRESH WATER CAPACITY (INCLUDES WATER HEATER)	GREY WASTE WATER CAPACITY	BLACK WASTE WATER CAPACITY
29ME		32' 7"	100"	11' 6"	84"	223"	47	41	32
29MV		32' 7"	100"	11' 6"	84"	223"	47	41	32
29W		32' 6"	100"	11' 7"	84"	223"	43.5	41	32
31DS		32' 6"	100"	11' 6"	84"	223"	47	41	32
31FK		32' 7"	100"	11' 6"	84"	223"	47	41	32
31FS		32' 7"	100"	11' 6"	84"	223"	47	41	32





## MELBOURNE

This cozy and complete motorhome is up for just about anything. Combining the stability of a Mercedes 3500 chassis with the power of a V6 turbo, 188-horsepower engine makes each journey a breeze.



LUXURY OF MERCEDES



POWER SOFA



24M MURPHY BED





MELBOURNE | 24K



MELBOURNE | 24L



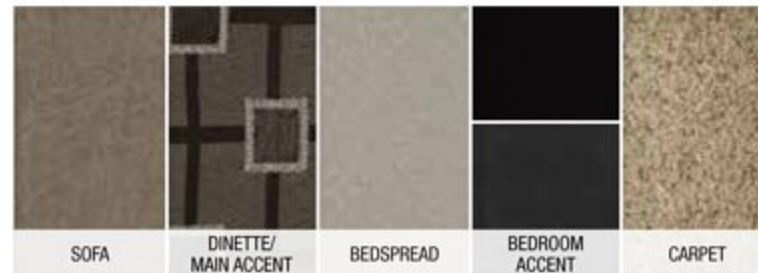
MELBOURNE | 24M

MELBOURNE INTERIOR DÉCOR

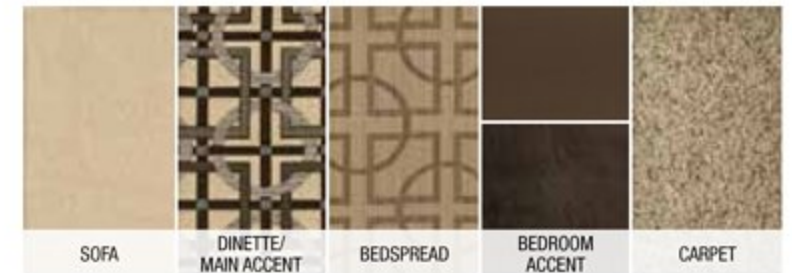
CHOCOLATE



GLORIOUS GREY



GRAND TAN



MELBOURNE SPECS

MODELS		DIMENSIONS				TANKS (GALS.)		
FLOORPLAN	EXTERIOR LENGTH	EXTERIOR WIDTH	EXTERIOR HEIGHT (WITH A/C)	INTERIOR HEIGHT	WHEEL BASE	FRESH WATER CAPACITY (INCLUDES WATER HEATER)	GREY WASTE WATER CAPACITY	BLACK WASTE WATER CAPACITY
24K	25' 2"	94"	11' 5"	83"	170"	43	32	32
24L	25' 2"	94"	11' 5"	83"	170"	43	32	32
24M	25' 2"	94"	11' 5"	83"	170"	45	32	32



## REDHAWK STANDARDS AND OPTIONS\*

### CUSTOMER VALUE PACKAGE

JRide Package: Computer-balanced driveshaft, front and rear stabilizer bars, Hellwig® helper springs, rubber isolation mounts

Frameless windows

One-piece seamless front cap

12V electric patio awning

1,000-watt inverter

Black holding tank sprayer

Rear backup camera and monitor

Heated holding tanks (12V pads)

8-cubic-foot, flush-mount, double-door refrigerator

32-inch LED HDTV

### STANDARD EXTERIOR EQUIPMENT

Vacuum-bonded, laminated roof, floor and sidewalls

Bead-foam insulation (R-15 max roof, R-9 max floor, R-5 max walls)

Aluminum running boards

Fiberglass, radius-cornered entrance door with screen door

Electric-powered entrance step

Pass-through storage compartment with light (select models)

Onan® 4,000-watt MicroQuiet™ generator

42-pound propane tank

30-amp power cord

Roof ladder

### STANDARD INTERIOR EQUIPMENT

Honey Cherry cabinetry and doors with oil-rubbed bronze cabinet hardware

3-burner range with 9,000-BTU SuperBurner™ and piezo igniter

6-gallon gas/electric DSI auto-ignition water heater

Water filtration system

Interior command center

15,000-BTU ducted A/C

31,000-BTU furnace with wall thermostat with auto-ignition

Toilet with foot flush

Full cab-over bunk with headboard (750-pound rating)

### STANDARD DRIVING EQUIPMENT

Ford® E-450 chassis (23XM, 26XD, 29XK, 31XL)

Triton® 6.8L EFI V10 305 HP engine with 420 lb-ft torque

6-speed automatic TorqShift® series transmission with overdrive

14,500-pound GVWR

22,000-pound GCWR

7,500-pound hitch with 7-pin plug

Chevrolet® 4500 Chassis (23X2, 26X1)

6L Vortec V8 342 HP engine with 373 lb-ft torque

Hydra-matic 6-speed automatic transmission with overdrive

14,200-pound GVWR

20,000-pound GCWR

5,000-pound hitch with 7-pin plug

120-amp alternator

55-gallon fuel tank

Driver and passenger air bags

Power anti-lock brakes with power steering

A/C and cruise control

Third brake light

### OPTIONS

Hydraulic leveling jacks

## GREYHAWK STANDARDS AND OPTIONS\*

### CUSTOMER VALUE PACKAGE

JRide Plus: Computer-balanced driveshaft, Bilstein® shock absorbers, Hellwig helper springs, rubber isolation mounts, and heavy-duty stabilizer bar

Hydraulic leveling jacks

Infotainment system with in-dash, touchscreen radio with 6.5-inch LCD color display, DVD/USB, Bluetooth® and built-in GPS

Backup and sideview cameras/monitor

Remote-controlled, heated sideview mirrors

Frameless windows

12V electric awning with LED lights

Tankless water heater

1,000-watt inverter

15,000-BTU A/C with heat pump

24-inch LED TV in bedroom

### STANDARD EXTERIOR EQUIPMENT

Tuff-Shell™ vacuum-bonded, laminated floor, sidewalls and roof

Bead-foam insulation (R-24 max roof, R-9 max floor, R-5 max walls)

One-piece seamless front cap

One-piece fiberglass roof

Keyless entry door, touchpad lock system

Electric-powered entrance step

Pass-through storage compartment with Slam-latch™ and light (select models)

Locking exterior storage compartments

Onan 4,000-watt MicroQuiet generator

Slideout battery tray with house battery

12V electrical system with 120V, 60-amp power converter

120V GFCI-protected exterior receptacle

56-pound propane tank

Heated holding tanks (12V pads)

### STANDARD INTERIOR EQUIPMENT

High-intensity, recessed LED ceiling lights

Honey Cherry cabinetry with raised-panel doors

3-burner range with 9,000-BTU SuperBurner and piezo igniter

One-piece, solid-surface, high-gloss countertop with integrated deep-bowl sinks and covers (2)

Dream Dinette™ mechanism, raises/lowers dinette tabletop (n/a on 29W)

Lap safety belts on all seating areas

Hide-a-bed sofa (29ME, 29MV, 31FK)

31,000-BTU auto-ignition furnace with wall thermostat

32-inch digital LED HDTV

Queen-size bed with bedspread

Full cab-over bunk (750-pound rating)

Bunk beds with 300-pound rating (31FS)

### STANDARD DRIVING EQUIPMENT

Ford E-450 chassis - 14,500-pound GVWR, 22,000-pound GCWR

Triton 6.8L EFI V10 305 HP engine with 420 lb-ft torque

6-speed TorqShift series transmission with overdrive

7,500-pound hitch with 750-pound tongue capacity and 7-pin plug

55-gallon fuel tank

Third brake light

### OPTIONS

Aluminum rims

Front entertainment center with 39-inch LED HDTV (n/a on 31FK)

2 smart TVs (31FS)

12-cubic-foot refrigerator (29MV, 29W)

Front overhead storage (31FK)

2 premium paint options - Autumn Air and Summer Bliss

## MELBOURNE STANDARDS AND OPTIONS\*\*

### CUSTOMER VALUE PACKAGE

Touchscreen, in-dash stereo with built-in CD/DVD/MP3 and input jack

Backup camera with monitor

Electric patio awning with LED light strip

Frameless windows

Remote-controlled, heated sideview mirrors

Swivel driver and passenger seats

Stabilizer jacks

Heated holding tanks (12V pads)

Keyless cab entry

### STANDARD EXTERIOR EQUIPMENT

2 vinyl exterior graphics - Soft Sand and Canyon Red

White baggage doors with Slam-latch

One-piece seamless front cap

Electric-powered, single entrance step

12V house battery with slideout tray

12V demand water pump

30-amp detachable electrical service cord

3.6KW Onan LP generator

### STANDARD INTERIOR EQUIPMENT

83-inch interior ceiling height with soft-touch vinyl ceiling

High-intensity LED ceiling lights

Honey Cherry cabinetry and doors with oil-rubbed bronze cabinet hardware

Water filtration system

Auto-ignition 30,000-BTU ducted furnace

6-gallon gas/electric water heater

Prep for satellite dish

Digital antenna with signal booster

Solid-surface kitchen countertops with round sink and faucet with pullout sprayer

8-cubic-foot gas/electric refrigerator

32-inch LED living room TV

Fan-Tastic® fan in living room

12V USB charging station in dinette area

Queen-size bed with bedspread

13,500-BTU A/C

### STANDARD DRIVING EQUIPMENT

Mercedes 3500 170-inch wheelbase, 11,030-pound GVWR chassis

V6 turbo 188 HP diesel engine with electronic fuel injection and 325 lb-ft torque

5-speed automatic transmission

220-amp alternator

Front and rear disc, 4-wheel anti-lock brakes

7-pin trailer hitch plug

9.8-gallon propane tank

5,000-pound rear hitch receiver with dual connector

### OPTIONS

Front entertainment center with 32-inch LED TV (24K, 24L)

3.2KW Onan diesel generator

2 premium paint options with Diamond Shield™ and aluminum rims - Tattoo Blue and White Lightning

Front overhead storage (24M)

Fireplace (24M)

\*\*Chassis warranty is 36 months/3 years. Diesel engine is 5 years/100,000 miles. All above standards and options are based on the initial prototype. Jayco reserves the right to make any changes without notification.

\*For a full list of standards and options, visit [jayco.com/products/class-c-motorhomes/](http://jayco.com/products/class-c-motorhomes/)



# MAKING MEMORIES THAT LAST GENERATIONS—LET'S JAYCO

Whether you're out for excitement, relaxation or just time together, we take steps others don't in order to help you stay focused on the fun. No cutting corners here. Let us go the extra mile so you don't have to.



## THE JAYCO DIFFERENCE

- 1. One-piece seamless front cap** for increased durability and protection
- 2. 750-pound overhead bunk capacity** offers nearly 250 pounds more than the industry average for greater safety and peace of mind
- 3. Integrated electric step** maximizes ground clearance and floor space
- 4. Integrated third brake light** is a Class C first that improves safety on the road
- 5. Seat belts in every position** secure the most precious cargo
- 6. Frameless windows** make exterior maintenance easier than ever and give the unit a sleek, modern look

**Gross Vehicle Weight Rating (GVWR):** The maximum permissible weight of the motorhome, including the Unloaded Vehicle Weight (UVW) plus passengers, personal items, all cargo, fluids, options and dealer-installed accessories. The GVWR is equal to or greater than the sum of the UVW and the Cargo Carrying Capacity.

**Gross Combined Weight Rating (GCWR):** The maximum allowable combined weight of the motorhome used as a tow vehicle and the attached towed vehicle.

It is important for your safety and enjoyment that you are aware of the weights and tow ratings of the RV you select. Consult a competent advisor for questions or advice. Whether you are new to RVing or a veteran, get a feel for the performance of your RV before heading out on the roadways. When you tow a vehicle with your RV, you must drive differently than when you drive a single vehicle. Practice hooking up, driving, backing up and braking in a safe environment or seek out professional instruction. Jayco affixes a weight label to each RV which lists weight information for that vehicle. Refer to that label to verify the vehicle will meet your requirements.



## GREYHAWK EXTERIOR DÉCOR



Graphics - Ocean Blue



Graphics - Sahara Beige



Premium Paint Option - Autumn Air



Premium Paint Option - Summer Bliss

## MELBOURNE EXTERIOR DÉCOR



Graphics - Soft Sand



Graphics - Canyon Red



Premium Paint Option - Tattoo Blue



Premium Paint Option - White Lightning



Generations of family fun.

### Meet your Jayco Dealer



We work hard—so you can play hard. From finding the perfect Jayco for your family to providing flexible financing options and full-service support, we're here to help.

### Follow Jayco



Jayco, Inc., P.O. Box 460, Middlebury, IN 46540, [www.jayco.com](http://www.jayco.com)

See dealer for further information and prices. All information in this brochure is the latest available at the time of publication approval. Jayco reserves the right to make changes and to discontinue models without notice or obligation. Photos in this brochure may show optional equipment and props for photography purposes. RVs built for sale in Canada may differ to conform to Canadian codes. ©2016 Jayco, Inc. 274743 0716-60K. Printed in U.S.A.

### Travel with Confidence

**2**  
YEAR  
WARRANTY

**FREE**

ROADSIDE  
ASSISTANCE

At Jayco, we build our RVs to handle every adventure, then back them with our industry-leading 2-year limited warranty. We, with support from our select partners, have you covered for **2 camping seasons**. That's **730 days**. You won't find a better warranty in the business, because the only strings we attach are those that deliver the ultimate in reliability. That's the Jayco difference. So go explore. We have the warranty that will follow you anywhere. For a copy of our 2-year limited warranty with complete terms and conditions, please contact your local Jayco dealer.

A year's access to Coach-Net™—the country's largest RV emergency road service.

**eco** advantage™

### Jayco's long-term commitment to generations of family fun

After five years of increased efforts to eliminate waste, conserve energy and increase recycling, we've come a long way in building RVs that are not only better for your family—but also better for the planet.

Learn more at [Jayco.com/EcoAdvantage](http://Jayco.com/EcoAdvantage)