

TORQUE



TORQUE





Model TQ 371



Model T285



Model T285



Model TQ 371



Model T285



Model T285



Model TQ 371



Model TQ 325



Model 322



Model TQ 325



VERSATILE GARAGE SPACE



Ultimate TAILGATING

More Ramp Patios

TORQUE offers rear patio options on all fifth wheel models. Enjoy over 64 square feet of additional space attached to the living area, up off the ground, dry and clean, covered by the awning and large enough to accommodate a bistro table and chairs for all your outdoor entertainment pleasure.



UNINHIBITED PASS-THRU EXTERIOR STORAGE

Choose TORQUE for superior industry leading engineering which results in larger, cleaner pass-through storage possibilities.



EZ-PATIO

SETS UP IN SECONDS



THERMAL TESTED

Heartland 5th wheel construction has been subjected to rigid testing in the famous DOMETIC Extreme temperature testing chamber. The testing chamber temperature is set to 0° to test the heating system, followed by setting it at 100° to test its cooling ability. With our thick 2" laminated walls, enclosed and heated underbelly and insulated floor - the interior of the Heartland coach remained warm and comfortable through out the sub-freezing testing and nice and cool during the extreme heat test!



Additional Equipment may be Required for Certain Climate Conditions

VERSATILE GARAGE SPACE



Ultimate TAILGATING

More Ramp Patios

TORQUE offers rear patio options on all fifth wheel models. Enjoy over 64 square feet of additional space attached to the living area, up off the ground, dry and clean, covered by the awning and large enough to accommodate a bistro table and chairs for all your outdoor entertainment pleasure.



UNINHIBITED PASS-THRU EXTERIOR STORAGE

Choose TORQUE for superior industry leading engineering which results in larger, cleaner pass-through storage possibilities.



THERMAL TESTED

Heartland 5th wheel construction has been subjected to rigid testing in the famous DOMETIC Extreme temperature testing chamber. The testing chamber temperature is set to 0° to test the heating system, followed by setting it at 100° to test its cooling ability. With our thick 2" laminated walls, enclosed and heated underbelly and insulated floor - the interior of the Heartland coach remained warm and comfortable through out the sub-freezing testing and nice and cool during the extreme heat test!

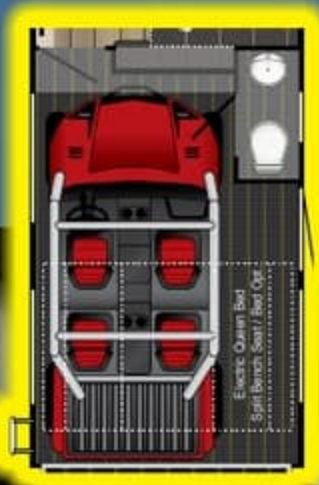


Additional Equipment may be Required for Certain Climate Conditions

SUPERIOR CONSTRUCTION



SIDE-BY-SIDE FRIENDLY



72" WIDE



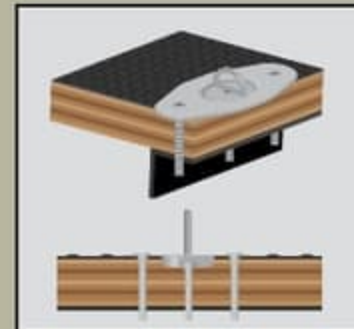
55" HD 4K LED TV in most models.



Double sink with pull-out sprayer



Light your task, set the mood or just kick back and relax. Enjoy perfect lighting throughout the TORQUE.



D-Rings

Anchored through the floor decking to the steel frame for maximum strength.



30 GALLONS of FUEL ON THE GO

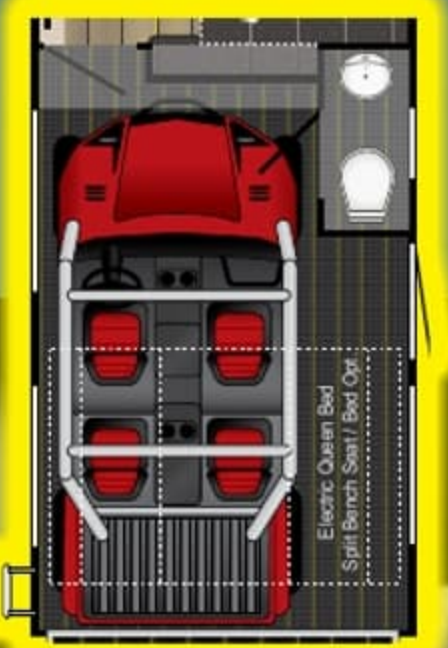
TORQUE owners Enjoy Safely Transporting Fuel in a Fuel Cell rather than having several 5 gallon fuel cans that take up floor space and can spill if not secured properly. A convenient filling hose and valve handle like you would find at the gas station for filling your toys and the Static Line (Metallic cable and clip that connects the toy and trailer together) that reduces the risk of static electricity sparks that are known to cause explosions!



SUPERIOR CONSTRUCTION



SIDE-BY-SIDE FRIENDLY



72" WIDE



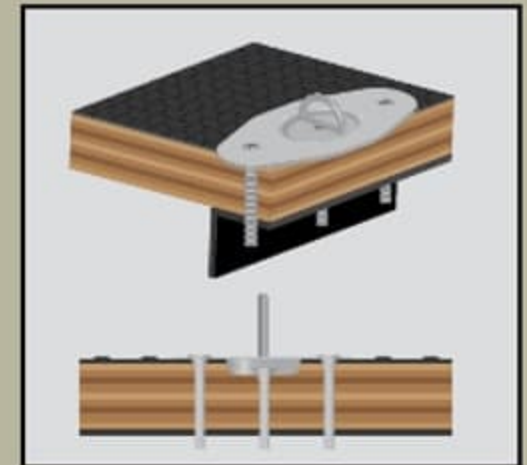
55" HD 4K LED TV in most models.



Double sink with pull-out sprayer



Light your task, set the mood or just kick back and relax. Enjoy perfect lighting throughout the TORQUE.



D-Rings
Anchored through the floor decking to the steel frame for maximum strength.



30 GALLONS OF FUEL ON THE GO

TORQUE owners Enjoy Safely Transporting Fuel in a Fuel Cell rather than having several 5 gallon fuel cans that take up floor space and can spill if not secured properly. A convenient filling hose and valve handle like you would find at the gas station for filling your toys and the Static Line (Metallic cable and clip that connects the toy and trailer together) that reduces the risk of static electricity sparks that are known to cause explosions!

10' GARAGE



Double Axle

TQ 325

12' 6" GARAGE



Double Axle

TQ 327

NEW



13' GARAGE



Double Axle

TQ 345 JM

13' GARAGE



Double Axle

Outdoor Kitchen

TQ 371

NEW

15' 10" GARAGE



Outdoor Kitchen

TQ 416

NEW

TRAVEL TRAILERS



NEW



TQ T26



TQ T285



TQ T29



TQ T30



TQ T31



TQ T32

NEW



Outdoor Kitchen

TQ T322

10' GARAGE



Double Axle

TQ 325

12' 6" GARAGE



Double Axle

TQ 327

NEW



13' GARAGE



Double Axle

TQ 345 JM

13' GARAGE



Double Axle

TQ 371

NEW

Outdoor Kitchen

15' 10" GARAGE



Outdoor Kitchen

TQ 416

NEW

TRAVEL TRAILERS



NEW



TQ T26



TQ T285



TQ T29



TQ T30



TQ T31



TQ T32



TQ T322

NEW

Outdoor Kitchen



Heartland Recreational Vehicles

2831 Dexter Drive • Elkhart, IN 46514 • 574-262-5992

Community. Convenience. Close-to-home.

Where you purchase your recreational vehicle is ultimately your decision but Heartland urges you to consider buying at your local dealer. Dealers are part of your community, providing jobs and contributing to your local economy. These dealers are under obligation to provide warranty service for products they sell, but are not legally required to service products purchased from other dealers. At some point, you may need to return to the dealer you buy from - why not stay close to home? After all, home is where your Heartland is!

BENEFITS OF PURCHASING YOUR RV LOCALLY:

- You enjoy valuable relationship building with Dealer Representatives, close to your home, who will explain the features and benefits of the product.
- You receive a full product orientation prior to delivery, which includes hands-on directions for many of the coach's systems and functions. You are also introduced to the Dealership's Service/Parts/Warranty personnel who are at the ready to help you with any issues you may encounter, now and in the future.
- You enjoy customer PRIORITY. Dealerships generally service their purchasing customers first - others may experience long delays and miss opportunities to use their RV. What is it worth for you to have a dealership's full attention and motivation to satisfy you when you need service - in a timely manner?
- Valuable TAX dollars and jobs stay in YOUR community which pays for your roads, schools, police and fire departments.

DON'T UNDERESTIMATE CUSTOMER SERVICE AND PERSONAL CARE!

For Canadian Residents: If you purchase an RV out-of-country, there are additional fees, taxes and inspections that must be met before bringing your product home. Your local Canadian dealers are experts in these provisions.



Your Authorized Heartland Dealer:

HEARTLAND PROUDLY PARTNERS WITH THE HIGHEST QUALITY VENDORS:



HEARTLAND CUSTOMER SERVICE WE'VE GOT YOUR BACK!

Over 40 men and women located in a dedicated facility servicing our customers every day. With a dealer network of over 400 locations across the U.S. and Canada, you're never far from an authorized Heartland dealer.

www.HEARTLANDRVs.com

Experience:
 Product Walk-Through Videos
 Side By Side Comparisons
 Feature Videos • Photo Galleries
 Virtual 360° Tours
 Detailed Floor Plans
 News • Testimonials
 Dealer Locator • Owners Club
 Customer Service • Service Locator
 and More at our Informative Web Site

www.heartlandrvs.com

Product information is as accurate as possible as of the date of publication of this brochure. Due to Heartland's commitment to continuous product improvement - floorplans, materials, components, features, measurements, specifications, options, etc. are subject to change at any time without notice or obligation. In certain conditions some additional equipment may be needed. Photos may show optional equipment or props used for photography purposes only.

Heartland has listed the approximate base weight of the trailer without the option equipment included. Option equipment will impact the weight of the trailer. Please locate the weight sticker attached to the trailer you are considering for the most accurate trailer weight.

Tow Vehicle Caution: Owners of Heartland recreational vehicles are solely responsible for the selection and proper use of tow vehicles. All customers should consult with a motor vehicle manufacturer or their dealer concerning the purchase and use of suitable tow vehicles for Heartland products. Heartland disclaims any liability or damages suffered as a result of the selection, operation, use or misuse of a tow vehicle. Heartland's limited warranty does not cover damage to the recreational vehicle or the tow vehicle as a result of the selection of the tow vehicle.



Heartland Recreational Vehicles

2831 Dexter Drive • Elkhart, IN 46514 • 574-262-5992

Community. Convenience. Close-to-home.

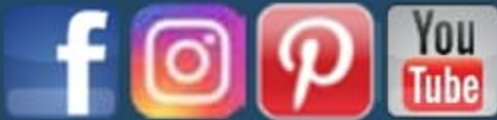
Where you purchase your recreational vehicle is ultimately your decision but Heartland urges you to consider buying at your local dealer. Dealers are part of your community, providing jobs and contributing to your local economy. These dealers are under obligation to provide warranty service for products they sell, but are not legally required to service products purchased from other dealers. At some point, you may need to return to the dealer you buy from - why not stay close to home? After all, home is where your Heartland is!

BENEFITS OF PURCHASING YOUR RV LOCALLY:

- You enjoy valuable relationship building with Dealer Representatives, close to your home, who will explain the features and benefits of the product.
- You receive a full product orientation prior to delivery, which includes hands-on directions for many of the coach's systems and functions. You are also introduced to the Dealership's Service/Parts/Warranty personnel who are at the ready to help you with any issues you may encounter, now and in the future.
- You enjoy customer PRIORITY. Dealerships generally service their purchasing customers first - others may experience long delays and miss opportunities to use their RV. What is it worth for you to have a dealership's full attention and motivation to satisfy you when you need service - in a timely manner?
- Valuable TAX dollars and jobs stay in YOUR community which pays for your roads, schools, police and fire departments.

DON'T UNDERESTIMATE CUSTOMER SERVICE AND PERSONAL CARE!

For Canadian Residents: If you purchase an RV out-of-country, there are additional fees, taxes and inspections that must be met before bringing your product home. Your local Canadian dealers are experts in these provisions.



Your Authorized Heartland Dealer:

HEARTLAND PROUDLY PARTNERS WITH THE HIGHEST QUALITY VENDORS:



SPECIALTY WRE & WHEEL, LLC. Established 1993



FINEST EXTERIOR SIDING



North American Forest Products, Inc.



HEARTLAND CUSTOMER SERVICE WE'VE GOT YOUR BACK!

Over 40 men and women located in a dedicated facility servicing our customers every day. With a dealer network of over 400 locations across the U.S. and Canada, you're never far from an authorized Heartland dealer.

www.HEARTLANDRVs.com

Experience:

- Product Walk-Through Videos
- Side By Side Comparisons
- Feature Videos • Photo Galleries
- Virtual 360° Tours
- Detailed Floor Plans
- News • Testimonials
- Dealer Locator • Owners Club
- Customer Service • Service Locator
- and More at our Informative Web Site

FOR ADDITIONAL INFORMATION

Product information is as accurate as possible as of the date of publication of this brochure. Due to Heartlands commitment to continuous product improvement - floorplans, materials, components, features, measurements, specifications, options, etc. are subject to change at any time without notice or obligation. In certain conditions some additional equipment may be needed. Photos may show optional equipment or props used for photography purposes only.

Heartland has listed the approximate base weight of the trailer without the option equipment included. Option equipment will impact the weight of the trailer. Please locate the weight sticker attached to the trailer you are considering for the most accurate trailer weight.

Tow Vehicle Caution: Owners of Heartland recreational vehicles are solely responsible for the selection and proper use of tow vehicles. All customers should consult with a motor vehicle manufacturer or their dealer concerning the purchase and use of suitable tow vehicles for Heartland products. Heartland disclaims any liability or damages suffered as a result of the selection, operation, use or misuse of a tow vehicle. Heartland's limited warranty does not cover damage to the recreational vehicle or the tow vehicle as a result of the selection of the tow vehicle.