



ENTEGRA  
COACH®

# GAS CLASS A 2021



**VISION** |  
PG. 4-11

**VISION XL** |  
PG. 12-19

**EMBLEM**  
PG. 20-27



ENTEGRACOACH®

# GAS CLASS A 2021



**VISION**  
PG. 4-11

**VISION XL**  
PG. 12-19

**EMBLEM**  
PG. 20-27

# THE ENTEGRA COACH ADVANTAGE



### THIRD BRAKE LIGHT AND BACKUP CAMERAS

Backing up a motorhome is much different than your everyday vehicle. It can be expensive, tricky and even impossible to retrofit some motorhomes with additional safety signals or rear-view cameras. At Entegra Coach, backup cameras and third brake lights are installed on each and every motorhome. These features allow you to navigate with ease, while helping deliver you to your camping destination safely.

### STRONG ROOF

Not only is a strong roof important because it's key to the overall structural integrity of a coach, but also for maintenance purposes. The roof may need some TLC throughout camping season. The ability to safely walk on the roof to perform some simple cleaning and sealant maintenance is a huge perk for Entegra Coach owners. Not to mention how it can endure a surprisingly heavy snowfall or falling tree limb.

### 120" WINDSHIELD

Entegra Coach's windshield is the largest in the industry and provides improved visibility during travel. In fact, Entegra Coach uses the same windshield in our gas Class A product used in our top-of-the-line diesel pushers. The addition of oversized wiper blades keep the view clear, even in the rain.



### TOWING CAPABILITIES

Entegra Coach engineers motorhomes with a tongue capacity at ten percent of the tow capacity, which is the optimal ratio. In turn, this allows Entegra Coach customers to tow more, without the need for a weight distribution hitch.



### SAFETY BELTS ON ALL SEATS

Everyone would agree the most precious cargo is the loved ones you travel with. Jayco installs stress-tested seatbelts in every designated seating location to ensure the safety of your entire family. In an Entegra Coach motorhome, you won't have to put anyone at risk due to limited safety belts.

### TUFFSHELL™ LAMINATED WALLS

Entegra Coach's exclusive Tuffshell wall construction process uses vacuum bonding to laminate fiberglass with welded aluminum framing, metal backers, decorative interior wall panels, and fiberglass exterior siding. This super-durable structure is designed specifically for heavy use and travel while still reducing weight.



### SOLAR HOOKUPS, LED LIGHTING

It's not only environmentally friendly, but solar hookups reduce the cost and load of electrical use in your RV at camp. More and more motorhomes are equipped with solar hookups or prepped for easy installation. LED lights are another energy-saving option many RVs offer. Both solar prep and LED lights will be found on all Entegra Coach motorhomes.

**750-lbs.**  
OVERHEAD CAPACITY

### UNBEATABLE BUNK RATINGS

Entegra Coach has designed our overhead bunks to hold 750 lbs. - this is 250 lbs. more than any of our competitors. Entegra Coach's superior bunk capacities extend beyond the overhead bunks, with a capacity of 300 lbs. in each standard bunk, as well.

**300-lbs.**  
STANDARD CAPACITY

## WE GO TO GREAT LENGTHS TO BUILD BETTER RVs

You can count on our motorhomes – and our focus on family fun – to go the distance. So you can maximize every moment, no matter where the journey takes you. These are the extra steps we take to set Entegra Coach motorhomes apart.



### THE E-Z DRIVE® RIDE AND HANDLING PACKAGE

Entegra Coach's E-Z Drive packages, which offer a powerful blend of precise handling and renowned stability, make the journey as enjoyable as the destination. These important additions make your trip more comfortable without the need for expensive aftermarket upgrades.



### ENTEGRA COACH 2+3 WARRANTY

Entegra Coach's warranty is the best in the RV business. The two-year limited warranty is twice as long as the industry standard, keeping you covered for two full camping seasons. Add to that the three-year structural limited warranty and you've got the most complete coverage that provides a peace of mind.



### RESALE VALUE

When establishing a trade-in value, motorhomes are valued by their base price only. Any optional equipment will not be included in this number. Entegra Coach motorhomes come packed full of standard features, with very few items left to option in. By building desired options into the base price of the coach as standard features, rather than adding them as options, Entegra Coach builds a higher resale value into their motorhomes. This leads to a better return on your hard-earned investment.

# THE ENTEGRA COACH ADVANTAGE



### THIRD BRAKE LIGHT AND BACKUP CAMERAS

Backing up a motorhome is much different than your everyday vehicle. It can be expensive, tricky and even impossible to retrofit some motorhomes with additional safety signals or rear-view cameras. At Entegra Coach, backup cameras and third brake lights are installed on each and every motorhome. These features allow you to navigate with ease, while helping deliver you to your camping destination safely.

### STRONG ROOF

Not only is a strong roof important because it's key to the overall structural integrity of a coach, but also for maintenance purposes. The roof may need some TLC throughout camping season. The ability to safely walk on the roof to perform some simple cleaning and sealant maintenance is a huge perk for Entegra Coach owners. Not to mention how it can endure a surprisingly heavy snowfall or falling tree limb.

### 120" WINDSHIELD

Entegra Coach's windshield is the largest in the industry and provides improved visibility during travel. In fact, Entegra Coach uses the same windshield in our gas Class A product used in our top-of-the-line diesel pushers. The addition of oversized wiper blades keep the view clear, even in the rain.



### TOWING CAPABILITIES

Entegra Coach engineers motorhomes with a tongue capacity at ten percent of the tow capacity, which is the optimal ratio. In turn, this allows Entegra Coach customers to tow more, without the need for a weight distribution hitch.



### SAFETY BELTS ON ALL SEATS

Everyone would agree the most precious cargo is the loved ones you travel with. Jayco installs stress-tested seatbelts in every designated seating location to ensure the safety of your entire family. In an Entegra Coach motorhome, you won't have to put anyone at risk due to limited safety belts.

### TUFFSHELL™ LAMINATED WALLS

Entegra Coach's exclusive Tuffshell wall construction process uses vacuum bonding to laminate fiberglass with welded aluminum framing, metal backers, decorative interior wall panels, and fiberglass exterior siding. This super-durable structure is designed specifically for heavy use and travel while still reducing weight.

**750-lbs.**  
OVERHEAD CAPACITY

**300-lbs.**  
STANDARD CAPACITY

### UNBEATABLE BUNK RATINGS

Entegra Coach has designed our overhead bunks to hold 750 lbs. - this is 250 lbs. more than any of our competitors. Entegra Coach's superior bunk capacities extend beyond the overhead bunks, with a capacity of 300 lbs. in each standard bunk, as well.



### SOLAR HOOKUPS, LED LIGHTING

It's not only environmentally friendly, but solar hookups reduce the cost and load of electrical use in your RV at camp. More and more motorhomes are equipped with solar hookups or prepped for easy installation. LED lights are another energy-saving option many RVs offer. Both solar prep and LED lights will be found on all Entegra Coach motorhomes.

## WE GO TO GREAT LENGTHS TO BUILD BETTER RVs

You can count on our motorhomes – and our focus on family fun – to go the distance. So you can maximize every moment, no matter where the journey takes you. These are the extra steps we take to set Entegra Coach motorhomes apart.



### THE E-Z DRIVE® RIDE AND HANDLING PACKAGE

Entegra Coach's E-Z Drive packages, which offer a powerful blend of precise handling and renowned stability, make the journey as enjoyable as the destination. These important additions make your trip more comfortable without the need for expensive aftermarket upgrades.

## 2+3

YEAR LIMITED STRUCTURAL WARRANTY

### ENTEGRAL COACH 2+3 WARRANTY

Entegra Coach's warranty is the best in the RV business. The two-year limited warranty is twice as long as the industry standard, keeping you covered for two full camping seasons. Add to that the three-year structural limited warranty and you've got the most complete coverage that provides a peace of mind.



### RESALE VALUE

When establishing a trade-in value, motorhomes are valued by their base price only. Any optional equipment will not be included in this number. Entegra Coach motorhomes come packed full of standard features, with very few items left to option in. By building desired options into the base price of the coach as standard features, rather than adding them as options, Entegra Coach builds a higher resale value into their motorhomes. This leads to a better return on your hard-earned investment.

## VISION



EZ

## VISION XL



EZE

## EMBLEM



EZE

E-Z Drive® is a powerful blend of precise handling and renowned stability. Hands down, it's the best ride.

**Experience E-Z Drive for yourself—visit your local dealer and take a test drive.**

EZ EZE

### JOUNCE BUMPERS

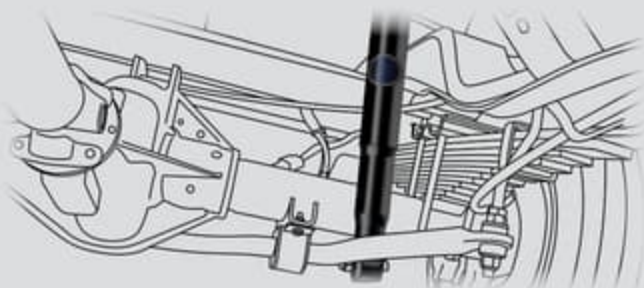
Assist during extreme road occurrences to absorb impact and dampen excess road noise



EZ EZE

### SACHS SHOCK ABSORBERS

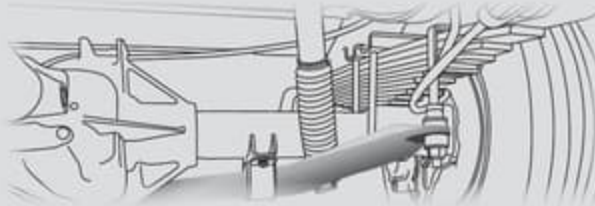
Large-diameter tube design pairs gas and hydraulics to resist heat and pressure while independently adjusting to changing road conditions



EZ EZE

### HEAVY-DUTY FRONT & REAR STABILIZER BARS

A larger bar and polyurethane bushings, instead of rubber, transfer power faster for extra support, more stability and easier handling



EZE

### VARIABLE-RATE FRONT & REAR JOUNCE BUMPERS

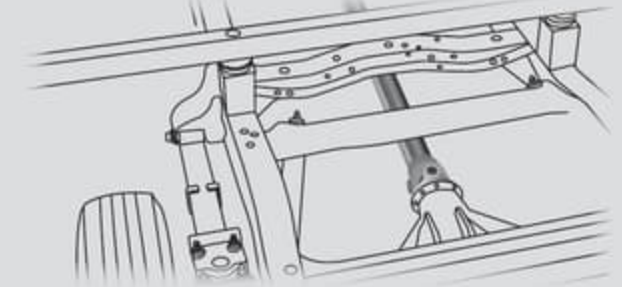
Continuously work to absorb impact and dampen excess road noise on all road conditions



EZ EZE

### COMPUTER-BALANCED DRIVESHAFT

Ensures smooth and efficient power transfer from the engine to the wheels



EZE

### MICHELIN® 22.5" TIRES

Commercial-grade tires built for long hauls and heavy loads



## VISION



EZ

## VISION XL



EZE

## EMBLEM



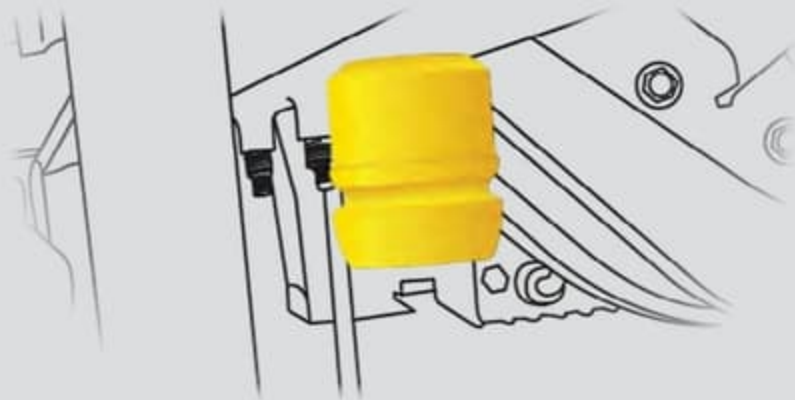
EZE

E-Z Drive® is a powerful blend of precise handling and renowned stability. Hands down, it's the best ride.  
**Experience E-Z Drive for yourself—visit your local dealer and take a test drive.**

EZ EZE

### JOUNCE BUMPERS

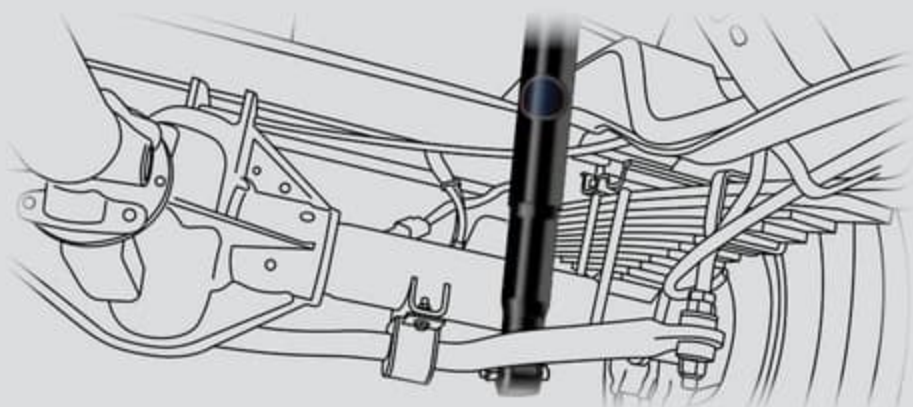
Assist during extreme road occurrences to absorb impact and dampen excess road noise



EZ EZE

### SACHS SHOCK ABSORBERS

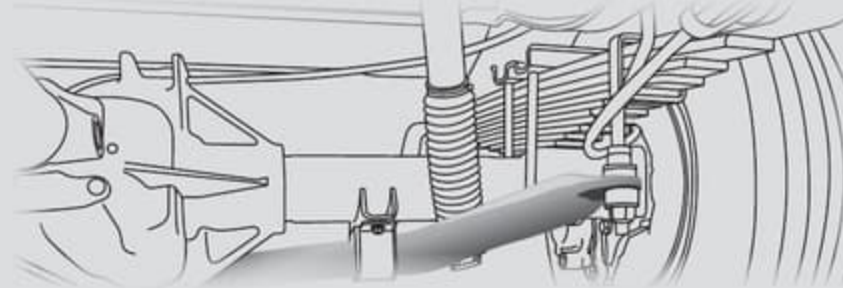
Large-diameter tube design pairs gas and hydraulics to resist heat and pressure while independently adjusting to changing road conditions



EZ EZE

### HEAVY-DUTY FRONT & REAR STABILIZER BARS

A larger bar and polyurethane bushings, instead of rubber, transfer power faster for extra support, more stability and easier handling



EZE

### VARIABLE-RATE FRONT & REAR JOUNCE BUMPERS

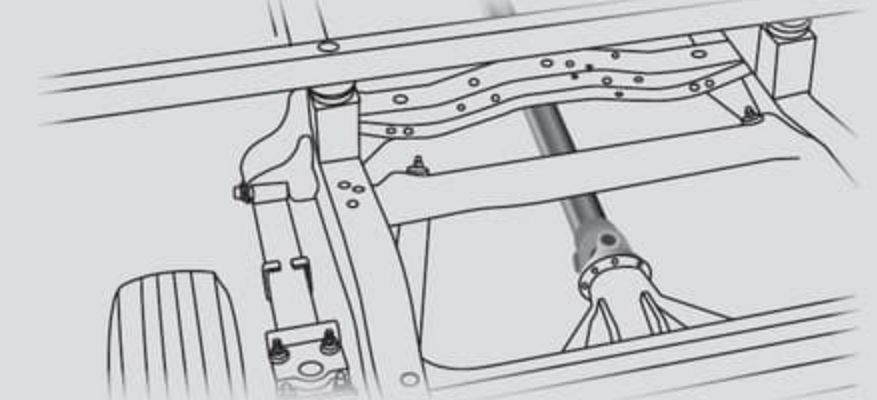
Continuously work to absorb impact and dampen excess road noise on all road conditions



EZ EZE

### COMPUTER-BALANCED DRIVESHAFT

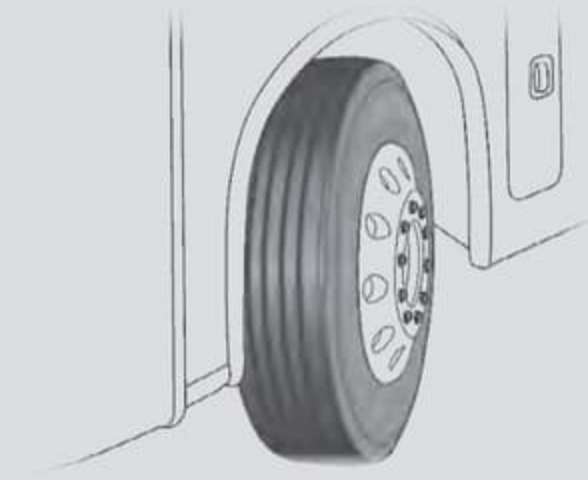
Ensures smooth and efficient power transfer from the engine to the wheels



EZE

### MICHELIN® 22.5" TIRES

Commercial-grade tires built for long hauls and heavy loads



# VISION



Equipped with



# VISION



Equipped with







## VALUE AT ITS FINEST

If you're looking to join the Entegra Coach Class A family for the first time, this is the coach for you. The gas-powered Vision motorhome provides many of the luxurious features of our diesel lineup in a gas coach, standard, at a lower price point. Combine its shorter length with the exclusive E-Z™ Drive ride and handling package, and you'll have many of the comforts of home in a motorhome that's easy to navigate and comfortable to drive.



## VALUE AT ITS FINEST

If you're looking to join the Entegra Coach Class A family for the first time, this is the coach for you. The gas-powered Vision motorhome provides many of the luxurious features of our diesel lineup in a gas coach, standard, at a lower price point. Combine its shorter length with the exclusive E-Z™ Drive ride and handling package, and you'll have many of the comforts of home in a motorhome that's easy to navigate and comfortable to drive.

# VISION



Kitchen featuring recessed stainless steel sink, Furrion® all-in-one cooktop and oven and residential-sized microwave



Bathroom featuring shower with decorative surround and skylight, recessed stainless steel sink and toilet with foot flush



8 cu. ft. gas/electric refrigerator and pantry



Bedroom featuring walk-around King-sized bed, overhead cabinets and mirrored wardrobes



Living area featuring hardwood cabinet doors and drawers, high-intensity LED lighting and swivel driver and passenger seats



# VISION



Kitchen featuring recessed stainless steel sink, Furrion® all-in-one cooktop and oven and residential-sized microwave



Bathroom featuring shower with decorative surround and skylight, recessed stainless steel sink and toilet with foot flush



8 cu. ft. gas/electric refrigerator and pantry



Bedroom featuring walk-around King-sized bed, overhead cabinets and mirrored wardrobes



Living area featuring hardwood cabinet doors and drawers, high-intensity LED lighting and swivel driver and passenger seats



The value-packed Vision, Gas Class A RV packs a ton of convenience and comfort in a coach ranging from 28 to 32 feet in length.

**26X**

OPTION A



**27A**

OPTION B



360°

**29F**

OPTION B



360°

**OPTIONS**



A



B

The value-packed Vision, Gas Class A RV packs a ton of convenience and comfort in a coach ranging from 28 to 32 feet in length.

**26X**

OPTION A



**27A**

OPTION B



360°

**29F**

OPTION B



360°

**OPTIONS**



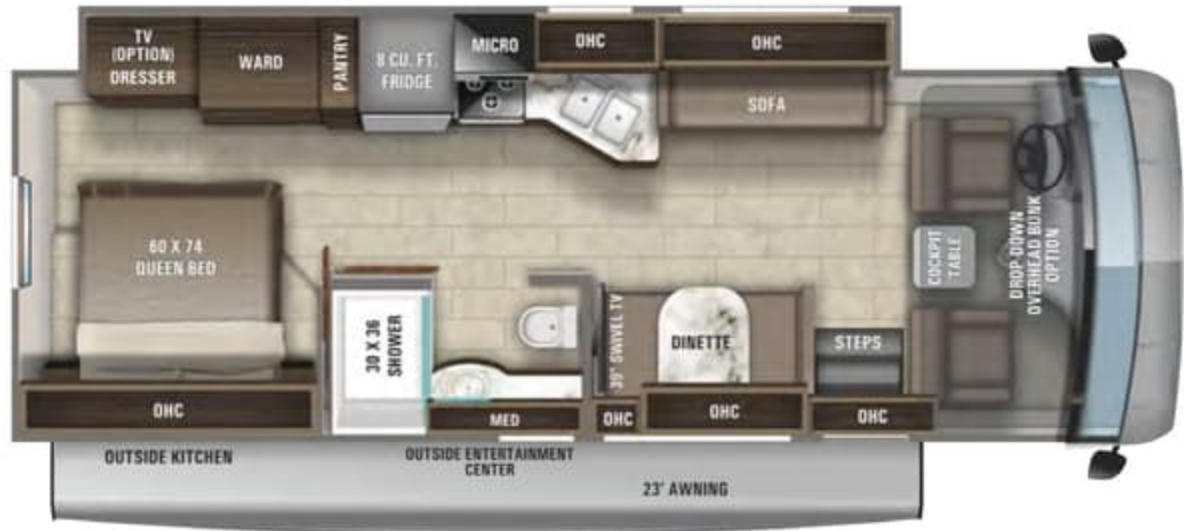
A



B

## 29S

OPTIONS  
A AND B



## 31V

OPTIONS  
A AND B



### OPTIONS



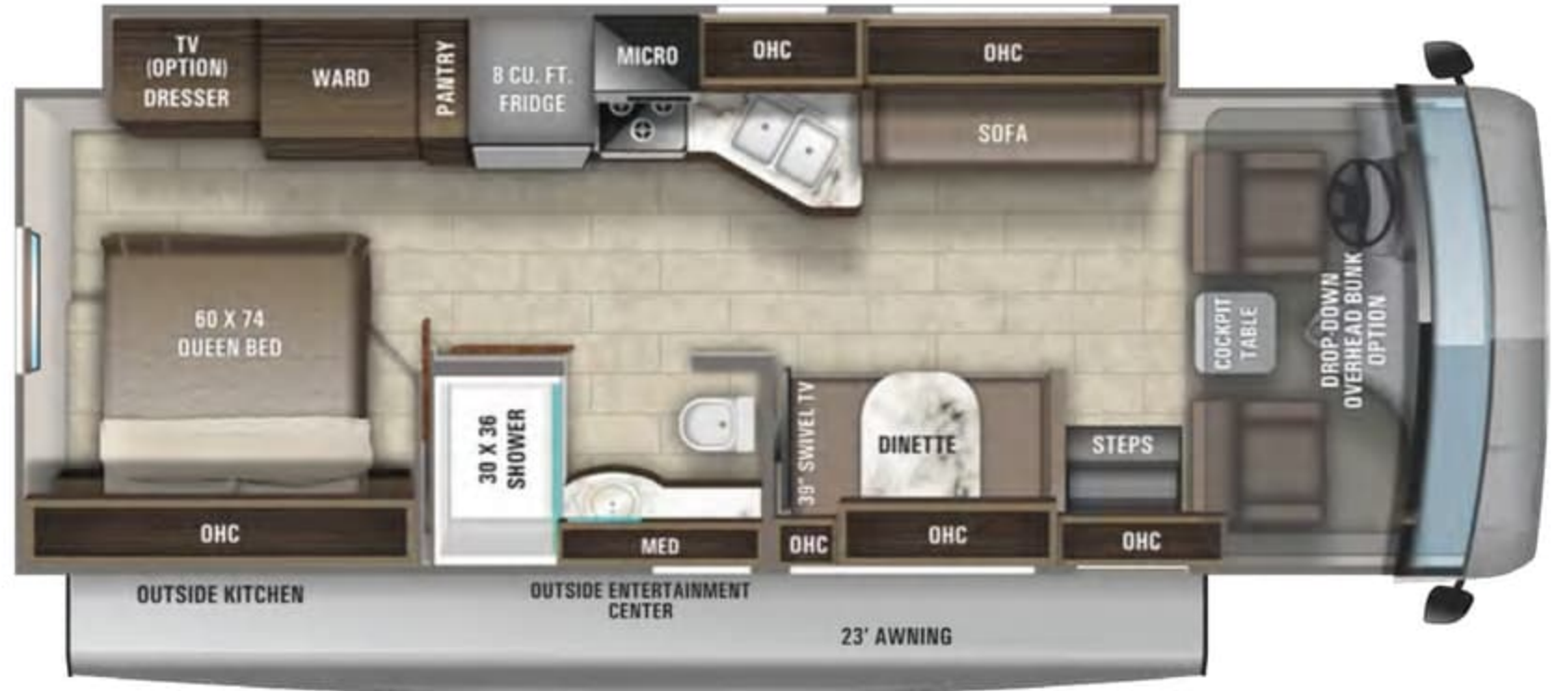
A



B

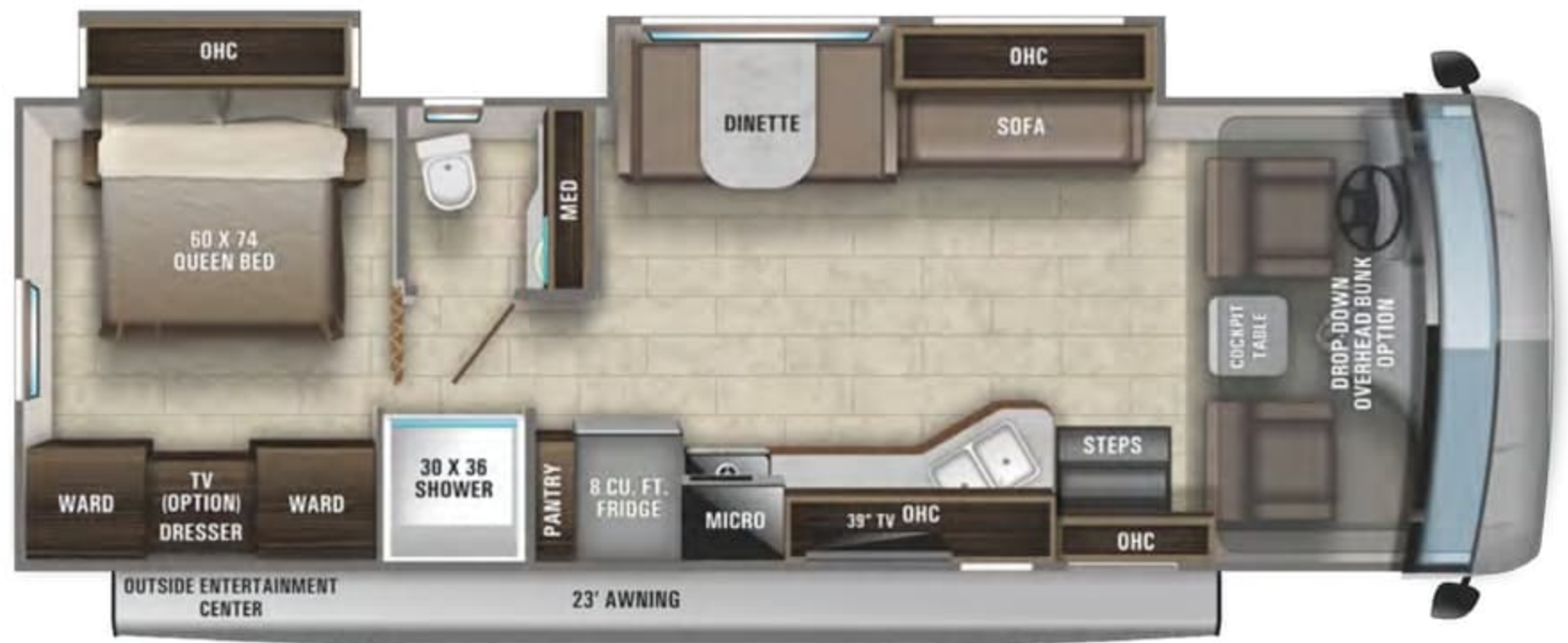
**29S**

OPTIONS  
A AND B



**31V**

OPTIONS  
A AND B



## OPTIONS



A



B



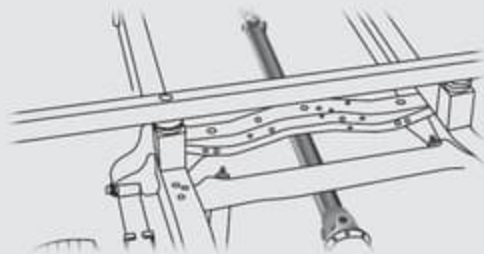


Floorplan	GVWR (lbs.)	GCWR (lbs.)	Wheel Base	Exterior Length	Exterior Height w/ A/C	Exterior Width	Interior Height	Fresh Water Capacity (gal.)	Gray Waste Water Capacity (gal.)	Black Waste Water Capacity (gal.)	Propane (gal.)
26X	16,000	23,000	178"	28' 5"	12' 5"	101"	84"	53	40	32	16.5
27A	18,000	23,000	190"	29' 11"	12' 5"	101"	84"	72	50	49	16.5
29F	18,000	23,000	190"	32' 2"	12' 5"	101"	84"	72	40	49	16.5
29S	18,000	23,000	190"	31' 4"	12' 5"	101"	84"	72	40/9	50	16.5
31V	18,000	23,000	190"	32' 2"	12' 5"	101"	84"	72	40	50	16.5



E-Z Drive™ is a powerful blend of precise handling and renowned stability. Hands down, it's the best ride.

**Experience E-Z Drive for yourself—visit your local dealer and take a test drive.**



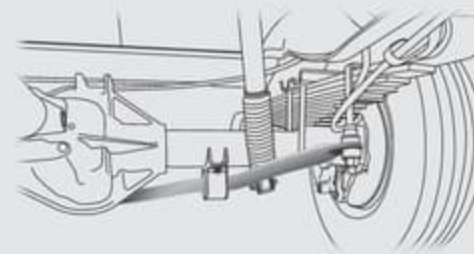
#### COMPUTER-BALANCED DRIVESHAFT

Ensures smooth and efficient power transfer to the wheels



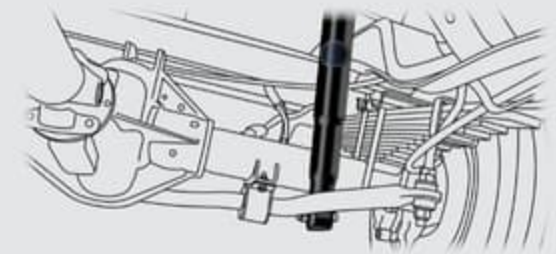
#### JOUNCE BUMPERS

Assist during extreme road occurrences to absorb impact and dampen excess road noise



#### HEAVY-DUTY FRONT & REAR STABILIZER BARS

Larger bars and polyurethane bushings, instead of rubber, transfer power faster for extra support, more stability and easier handling



#### SACHS SHOCK ABSORBERS

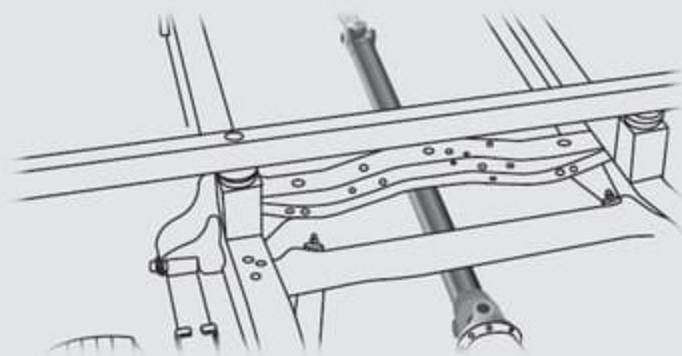
Large-diameter tube design pairs gas and hydraulics to resist heat and pressure while independently adjusting to changing road conditions

Floorplan	GVWR (lbs.)	GCWR (lbs.)	Wheel Base	Exterior Length	Exterior Height w/ A/C	Exterior Width	Interior Height	Fresh Water Capacity (gal.)	Gray Waste Water Capacity (gal.)	Black Waste Water Capacity (gal.)	Propane (gal.)
26X	16,000	23,000	178"	28' 5"	12' 5"	101"	84"	53	40	32	16.5
27A	18,000	23,000	190"	29' 11"	12' 5"	101"	84"	72	50	49	16.5
29F	18,000	23,000	190"	32' 2"	12' 5"	101"	84"	72	40	49	16.5
29S	18,000	23,000	190"	31' 4"	12' 5"	101"	84"	72	40/9	50	16.5
31V	18,000	23,000	190"	32' 2"	12' 5"	101"	84"	72	40	50	16.5



E-Z Drive™ is a powerful blend of precise handling and renowned stability. Hands down, it's the best ride.

**Experience E-Z Drive for yourself—visit your local dealer and take a test drive.**



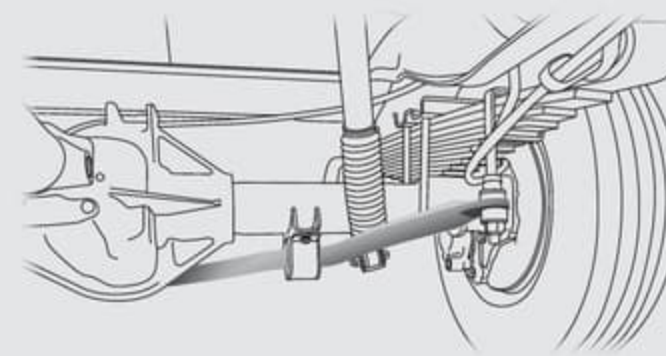
#### COMPUTER-BALANCED DRIVESHAFT

Ensures smooth and efficient power transfer to the wheels



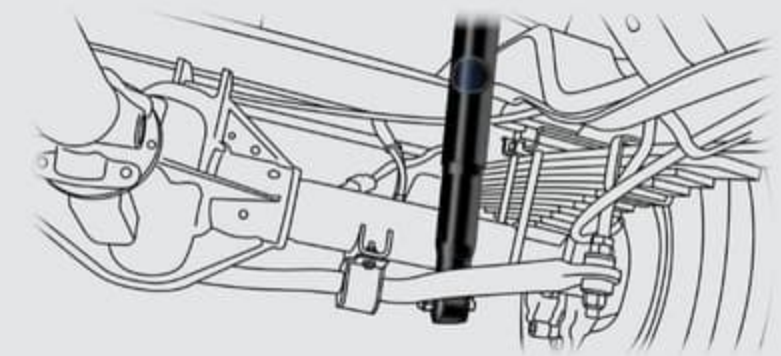
#### JOUNCE BUMPERS

Assist during extreme road occurrences to absorb impact and dampen excess road noise



#### HEAVY-DUTY FRONT & REAR STABILIZER BARS

Larger bars and polyurethane bushings, instead of rubber, transfer power faster for extra support, more stability and easier handling



#### SACHS SHOCK ABSORBERS

Large-diameter tube design pairs gas and hydraulics to resist heat and pressure while independently adjusting to changing road conditions







Cerulean Full-Body Paint



Obsidian Full-Body Paint



Ruby Full-Body Paint



Standard Graphics



Cerulean Full-Body Paint



Obsidian Full-Body Paint



Ruby Full-Body Paint



Standard Graphics



**CUSTOMER VALUE PACKAGE**

E-Z DRIVE™: Computer-balanced driveshaft, jounce bumpers, heavy-duty front and rear stabilizer bars, SACHS shocks  
 One-piece, seamless, crowned fiberglass roof  
 Exterior entertainment center with outside speakers, LED TV mounted on swivel bracket and single-disc DVD/FM radio  
 Electric patio awning with LED lights  
 Slideout cover awnings  
 1,000-watt inverter  
 Sony® infotainment center with Apple CarPlay® and Android Auto™  
 Backup and side-view cameras  
 Removable driver/passenger cockpit table  
 LED living room TV  
 Blackout night roller shades

**STANDARD CHASSIS EQUIPMENT**

Ford® F53 chassis  
 GVWR - 16,000-lb. (26X), 18,000-lb. (27A, 29F, 29S, 31V)  
 GCWR - 23,000-lb.  
 7.3L V-8 350 HP engine with 468 ft.-lb. torque  
 6-speed automatic TorqShift® transmission with overdrive and tow haul mode  
 210-amp alternator  
 G-rated highway tires-245/70R19.5  
 Front and rear disc, 4-wheel anti-lock brakes  
 5,000-lb. rear hitch receiver with dual connector  
 7-pin plug  
 12V chassis battery  
 80-gal. fuel tank

**HEAT, A/C, POWER & WATER EQUIPMENT**

Onan® Marquis Gold Genset 5,500-watt generator (4,000-watt on 26X)  
 50-amp electrical service (30 amp on 26X)  
 12V house battery  
 Solar prep  
 Heated holding tanks (12V pads)  
 15,000-BTU A/C unit with heat pump and second 13,500-BTU A/C unit (15,000-BTU A/C unit on 26X)  
 Auto-ignition ducted furnace - 30,000 BTU  
 6-gal. gas/electric DSI auto-ignition water heater

16.5-gal. propane tank (56-lb.)  
 LP quick-connect hookup  
 Exterior utility center  
 Winterization drain system  
 Black tank flush  
 Outside shower  
 12V demand water pump  
 Water filtration system

**STANDARD EXTERIOR EQUIPMENT**

TuffShell™ vacuum-bond laminated roof, floor and sidewalls  
 Bead-foam insulation (R-24 max roof, R-9 max floor, R-5 max walls)  
 One-piece, seamless, fiberglass front cap with partial paint  
 Fiberglass exterior walls with vinyl graphics  
 Automatic hydraulic leveling jacks  
 Frameless windows  
 Entrance door with industry's largest travel-view window  
 Electric-powered entrance step  
 Lockable pass-through storage compartments with slam latches  
 4-in. tube bumper with sewer hose storage  
 Roof ladder

**COCKPIT AMENITIES**

Power front privacy shade with manual side privacy shades  
 120-in. panoramic windshield  
 6-way power driver seat  
 Swivel driver and passenger seats  
 Soft-touch, vinyl-wrapped automotive dash  
 A/C and cruise control  
 Tilt steering wheel  
 Auxiliary start

**STANDARD INTERIOR EQUIPMENT**

84-in. interior ceiling height  
 High-intensity recessed LED ceiling lights  
 LED-lit hardwood fascia  
 Hardwood cabinet doors and drawers  
 Ball-bearing drawer guides  
 Entegra-exclusive, easy-operation legless dinette table  
 Blu-Ray™ player in living area

Prep for satellite dish  
 Cable TV hookup with RG-6 coax  
 Digital antenna with signal booster  
 8-cu. ft. gas/electric refrigerator  
 Furrion® all-in-one cooktop and oven  
 Residential-sized microwave  
 Large, recessed, stainless-steel kitchen sink with cover  
 LED-lit pressed countertops  
 Flip-up countertop extension (select models)  
 Decorative kitchen backsplash  
 Pop-up charging station in kitchen with 110 outlets and USB ports  
 Shower with decorative surround, glass door, skylight and light  
 Recessed stainless-steel bathroom sink  
 Toilet with foot flush  
 Powered roof vent in bathroom with wall switch  
 Walk-around, Queen-sized bed with bedspread and nightstands (King-sized in 27A)  
 Under-bed storage (select models)  
 Powered roof vent in bedroom with wall switch  
 Bedroom TV prep  
 Large wardrobes  
 Bunks with industry-exclusive 300-lb. capacity each (29F)

**STANDARD SAFETY EQUIPMENT**

2-point lap safety belts in all designated seating locations  
 Smoke alarm  
 Carbon monoxide detector  
 Third brake light  
 Porch light

**OPTIONS**

Drop-down overhead bunk in cab area with 750-lb. capacity  
 12-cu. ft. gas/electric refrigerator (N/A 26X)  
 Theater seating (26X, 29S, 31V)  
 Bedroom TV

**CUSTOMER VALUE PACKAGE**

E-Z DRIVE™: Computer-balanced driveshaft, jounce bumpers, heavy-duty front and rear stabilizer bars, SACHS shocks  
 One-piece, seamless, crowned fiberglass roof  
 Exterior entertainment center with outside speakers, LED TV mounted on swivel bracket and single-disc DVD/FM radio  
 Electric patio awning with LED lights  
 Slideout cover awnings  
 1,000-watt inverter  
 Sony® infotainment center with Apple CarPlay® and Android Auto™  
 Backup and side-view cameras  
 Removable driver/passenger cockpit table  
 LED living room TV  
 Blackout night roller shades

**STANDARD CHASSIS EQUIPMENT**

Ford® F53 chassis  
 GVWR - 16,000-lb. (26X), 18,000-lb. (27A, 29F, 29S, 31V)  
 GCWR - 23,000-lb.  
 7.3L V-8 350 HP engine with 468 ft.-lb. torque  
 6-speed automatic TorqShift® transmission with overdrive and tow haul mode  
 210-amp alternator  
 G-rated highway tires-245/70R19.5  
 Front and rear disc, 4-wheel anti-lock brakes  
 5,000-lb. rear hitch receiver with dual connector  
 7-pin plug  
 12V chassis battery  
 80-gal. fuel tank

**HEAT, A/C, POWER & WATER EQUIPMENT**

Onan® Marquis Gold Genset 5,500-watt generator (4,000-watt on 26X)  
 50-amp electrical service (30 amp on 26X)  
 12V house battery  
 Solar prep  
 Heated holding tanks (12V pads)  
 15,000-BTU A/C unit with heat pump and second 13,500-BTU A/C unit (15,000-BTU A/C unit on 26X)  
 Auto-ignition ducted furnace - 30,000 BTU  
 6-gal. gas/electric DSI auto-ignition water heater

16.5-gal. propane tank (56-lb.)  
 LP quick-connect hookup  
 Exterior utility center  
 Winterization drain system  
 Black tank flush  
 Outside shower  
 12V demand water pump  
 Water filtration system

**STANDARD EXTERIOR EQUIPMENT**

TuffShell™ vacuum-bond laminated roof, floor and sidewalls  
 Bead-foam insulation (R-24 max roof, R-9 max floor, R-5 max walls)  
 One-piece, seamless, fiberglass front cap with partial paint  
 Fiberglass exterior walls with vinyl graphics  
 Automatic hydraulic leveling jacks  
 Frameless windows  
 Entrance door with industry's largest travel-view window  
 Electric-powered entrance step  
 Lockable pass-through storage compartments with slam latches  
 4-in. tube bumper with sewer hose storage  
 Roof ladder

**COCKPIT AMENITIES**

Power front privacy shade with manual side privacy shades  
 120-in. panoramic windshield  
 6-way power driver seat  
 Swivel driver and passenger seats  
 Soft-touch, vinyl-wrapped automotive dash  
 A/C and cruise control  
 Tilt steering wheel  
 Auxiliary start

**STANDARD INTERIOR EQUIPMENT**

84-in. interior ceiling height  
 High-intensity recessed LED ceiling lights  
 LED-lit hardwood fascia  
 Hardwood cabinet doors and drawers  
 Ball-bearing drawer guides  
 Entegra-exclusive, easy-operation legless dinette table  
 Blu-Ray™ player in living area

Prep for satellite dish  
 Cable TV hookup with RG-6 coax  
 Digital antenna with signal booster  
 8-cu. ft. gas/electric refrigerator  
 Furrion® all-in-one cooktop and oven  
 Residential-sized microwave  
 Large, recessed, stainless-steel kitchen sink with cover  
 LED-lit pressed countertops  
 Flip-up countertop extension (select models)  
 Decorative kitchen backsplash  
 Pop-up charging station in kitchen with 110 outlets and USB ports  
 Shower with decorative surround, glass door, skylight and light  
 Recessed stainless-steel bathroom sink  
 Toilet with foot flush  
 Powered roof vent in bathroom with wall switch  
 Walk-around, Queen-sized bed with bedspread and nightstands (King-sized in 27A)  
 Under-bed storage (select models)  
 Powered roof vent in bedroom with wall switch  
 Bedroom TV prep  
 Large wardrobes  
 Bunks with industry-exclusive 300-lb. capacity each (29F)

**STANDARD SAFETY EQUIPMENT**

2-point lap safety belts in all designated seating locations  
 Smoke alarm  
 Carbon monoxide detector  
 Third brake light  
 Porch light

**OPTIONS**

Drop-down overhead bunk in cab area with 750-lb. capacity  
 12-cu. ft. gas/electric refrigerator (N/A 26X)  
 Theater seating (26X, 29S, 31V)  
 Bedroom TV



# VISION XL



Equipped with



# VISION XL



Equipped with

**E-Z Drive**  
**ELITE**



## HIT THE ROAD

The most recent addition to the Entegra Coach Gas Class A lineup, the Vision XL is jam-packed with surprising and innovative standard features. Built on a Ford® F53 chassis, the Vision XL is equipped with the E-Z™ Drive Elite package that provides the superior ride and handling experience travelers have come to expect from Entegra Coach. Among other upgrades, the 2021 Vision XL offers new décor and graphics, including four full-body paint options.



## HIT THE ROAD

The most recent addition to the Entegra Coach Gas Class A lineup, the Vision XL is jam-packed with surprising and innovative standard features. Built on a Ford® F53 chassis, the Vision XL is equipped with the E-Z™ Drive Elite package that provides the superior ride and handling experience travelers have come to expect from Entegra Coach. Among other upgrades, the 2021 Vision XL offers new décor and graphics, including four full-body paint options.

# VISION XL



Kitchen featuring Furrion® all-in-one cooktop and oven, 21 cu. ft. residential refrigerator and residential-sized microwave



Bathroom featuring shower with decorative surround, glass doors and skylight, recessed stainless steel sink and mirrored medicine cabinet



Large pantry  
(optional combination washer/dryer available here)



Bedroom featuring walk-around king-sized bed, LED TV and mirrored wardrobes



Living area featuring LED-lit hardwood fascia, Entegra Coach exclusive legless dinette and optional theater seating



# VISION XL



Kitchen featuring Furrion® all-in-one cooktop and oven, 21 cu. ft. residential refrigerator and residential-sized microwave



Bathroom featuring shower with decorative surround, glass doors and skylight, recessed stainless steel sink and mirrored medicine cabinet



Large pantry  
(optional combination washer/dryer available here)



Bedroom featuring walk-around king-sized bed, LED TV and mirrored wardrobes



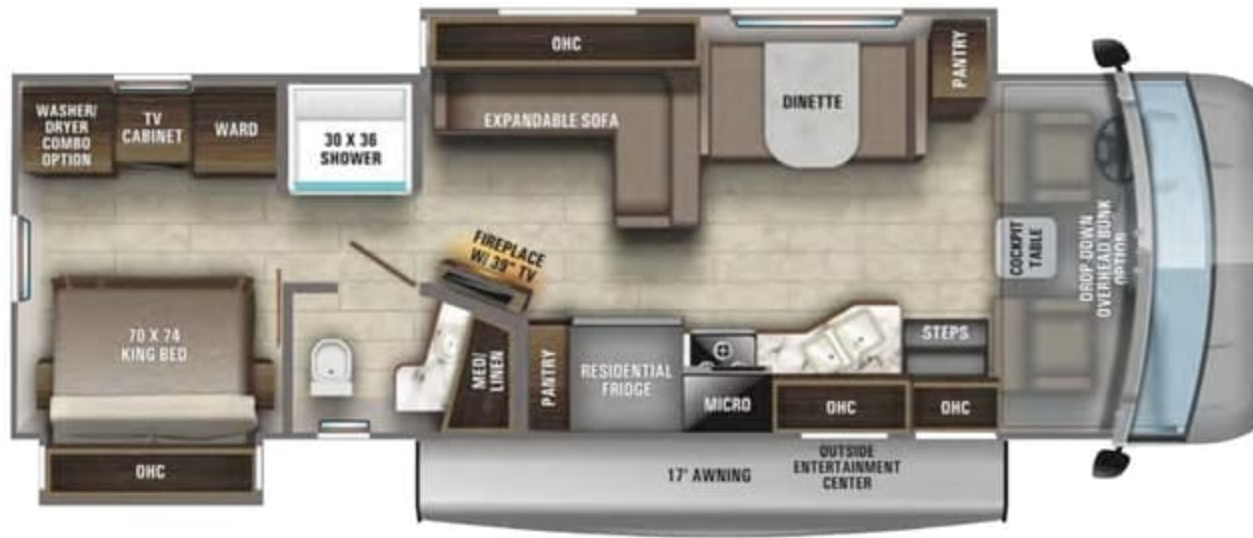
Living area featuring LED-lit hardwood fascia, Entegra Coach exclusive legless dinette and optional theater seating



The Vision XL is longer than its sister Vision model, but still under forty feet and offers additional luxury features and technologies.

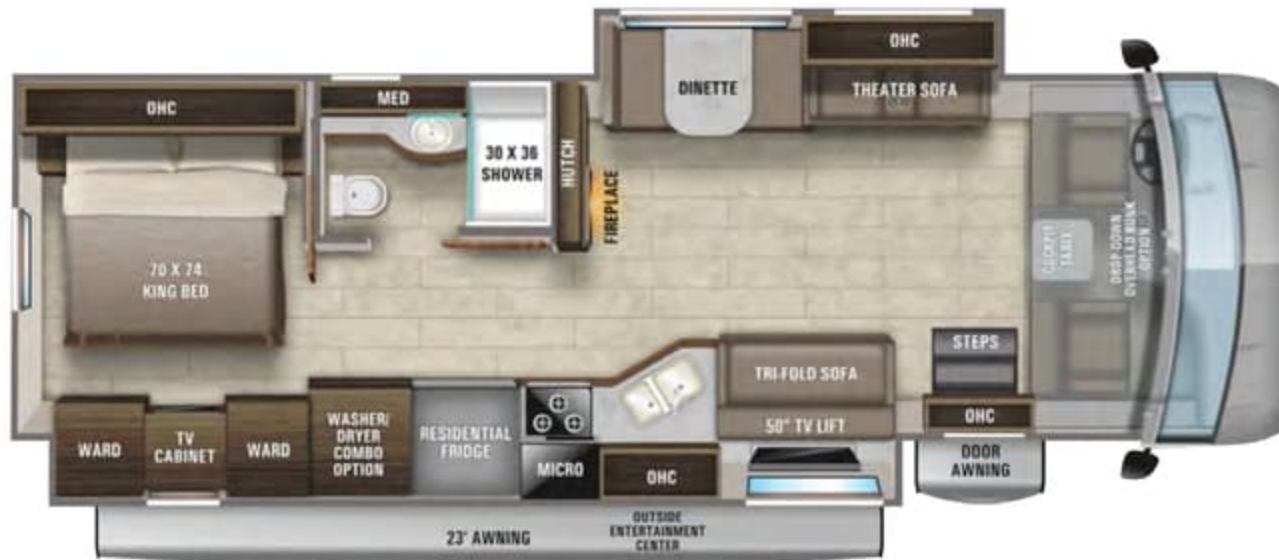
**34B**

OPTIONS  
A AND C



**34G**

OPTION  
C

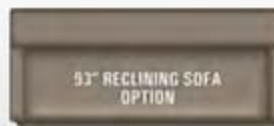


**36A**

OPTIONS  
B AND C



## OPTIONS



A



B

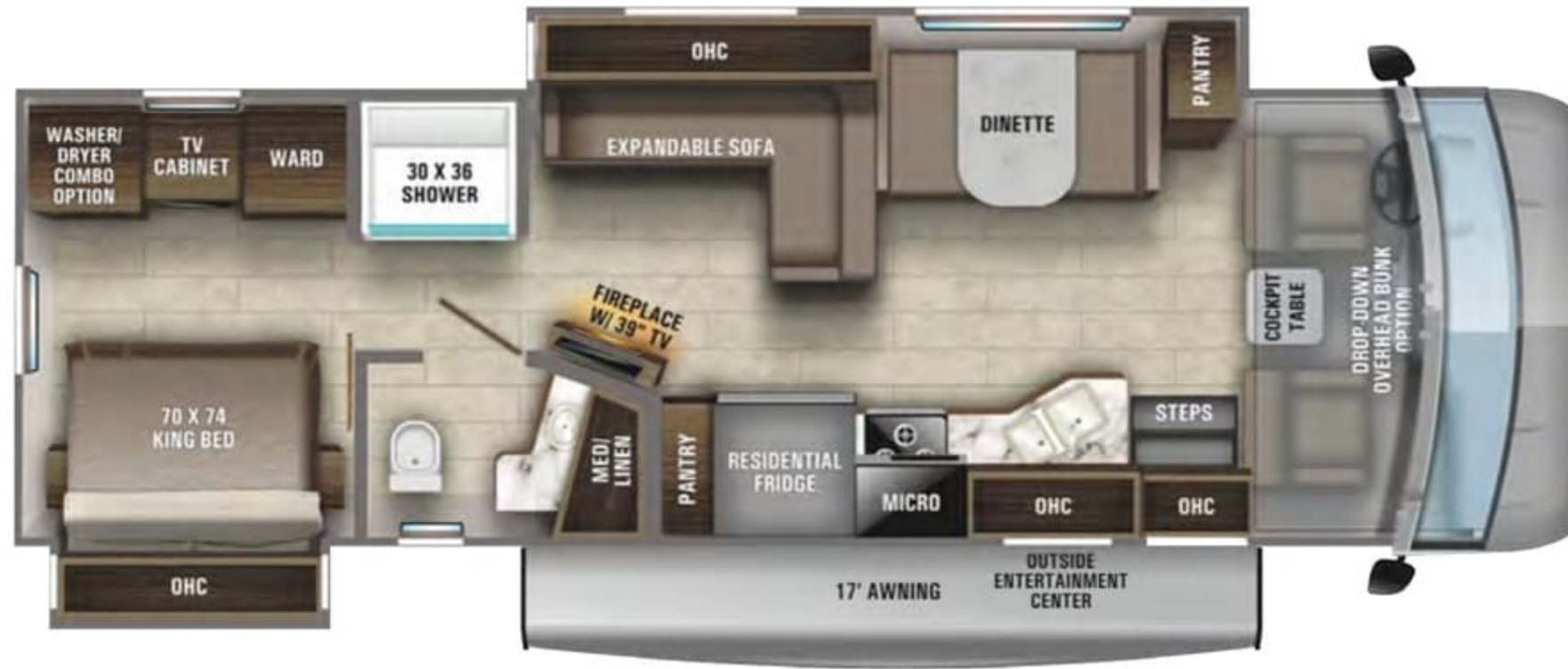


C

The Vision XL is longer than its sister Vision model, but still under forty feet and offers additional luxury features and technologies.

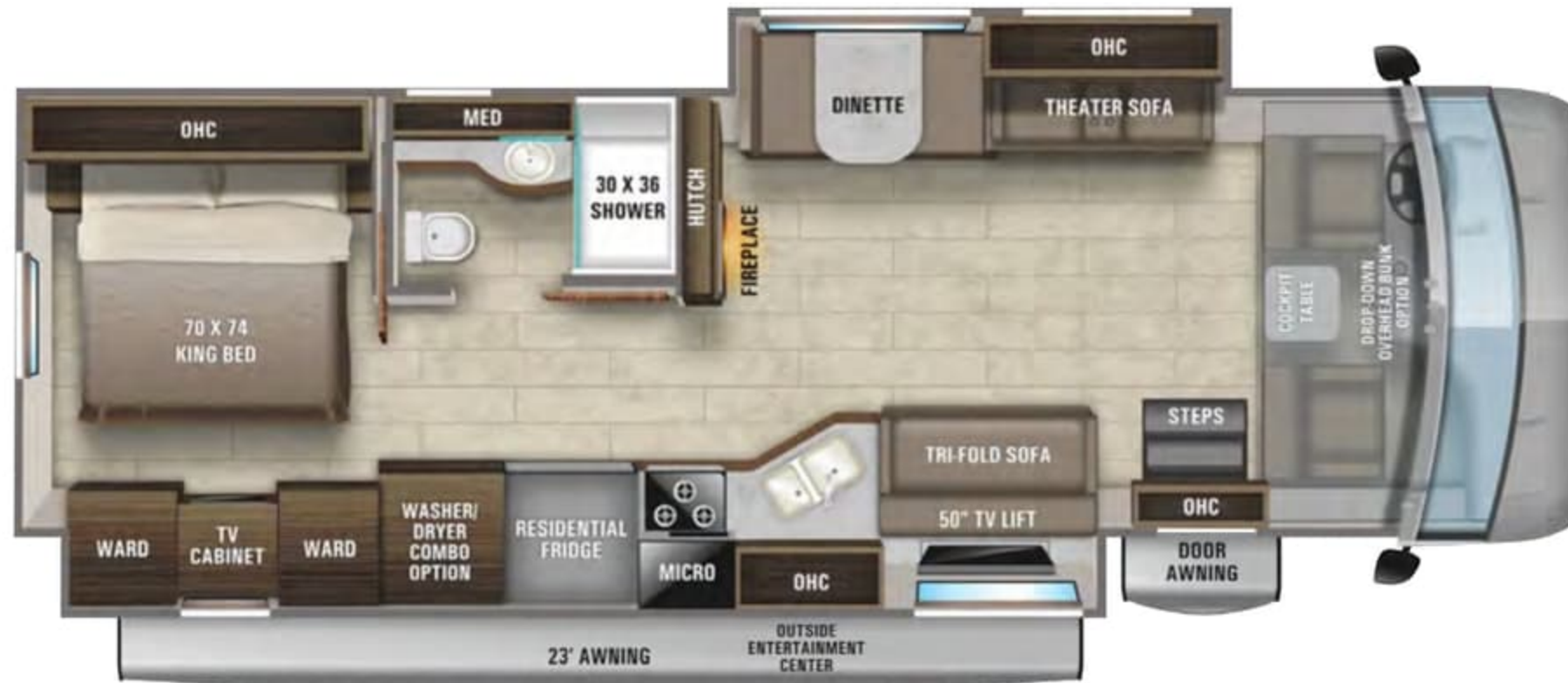
**34B**

OPTIONS  
A AND C



**34G**

OPTION  
C



**36A**

OPTIONS  
B AND C



## OPTIONS



A



B



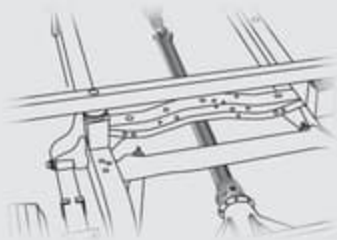
C



Floorplan	GVWR (lbs.)	GCWR (lbs.)	Wheel Base	Exterior Length	Exterior Height w/ A/C	Exterior Width	Interior Height	Fresh Water Capacity (gal.)	Gray Waste Water Capacity (gal.)	Black Waste Water Capacity (gal.)	Propane (gal.)
34B	22,000	26,000	238"	36' 6"	12' 10"	101"	84"	72	40	50	16.5
34G	22,000	26,000	228"	36' 11"	12' 10"	101"	84"	72	40	40	16.5
36A	24,000	30,000	252"	38' 10"	12' 10"	101"	84"	72	40/40	51/51	16.5

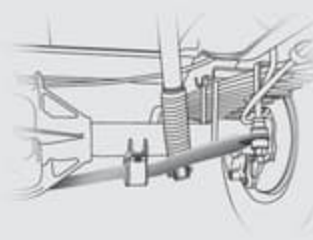


E-Z Drive™ Elite is a powerful blend of precise handling and renowned stability. Hands down, it's the best ride.  
**Experience E-Z Drive Elite for yourself—visit your local dealer and take a test drive.**



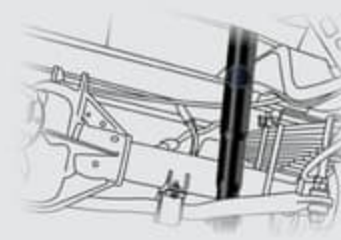
#### COMPUTER-BALANCED DRIVESHAFT

Ensures smooth and efficient power transfer to the wheels



#### HEAVY-DUTY FRONT & REAR STABILIZER BARS

A larger bar and polyurethane bushings, instead of rubber, transfer power faster for extra support, more stability and easier handling



#### SACHS SHOCK ABSORBERS

Large-diameter tube design pairs gas and hydraulics to resist heat and pressure while independently adjusting to changing road conditions



#### VARIABLE-RATE FRONT & REAR JOUNCE BUMPERS

Assist during extreme road occurrences to absorb impact and dampen excess road noise



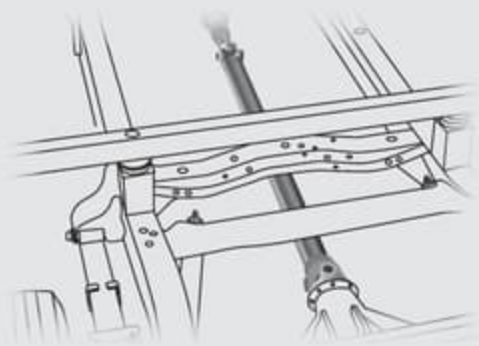
#### MICHELIN® 22.5" TIRES

Commercial-grade tires built for long hauls and heavy loads

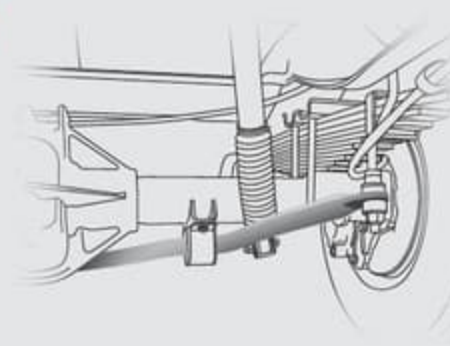
Floorplan	GVWR (lbs.)	GCWR (lbs.)	Wheel Base	Exterior Length	Exterior Height w/ A/C	Exterior Width	Interior Height	Fresh Water Capacity (gal.)	Gray Waste Water Capacity (gal.)	Black Waste Water Capacity (gal.)	Propane (gal.)
34B	22,000	26,000	238"	36' 6"	12' 10"	101"	84"	72	40	50	16.5
34G	22,000	26,000	228"	36' 11"	12' 10"	101"	84"	72	40	40	16.5
36A	24,000	30,000	252"	38' 10"	12' 10"	101"	84"	72	40/40	51/51	16.5



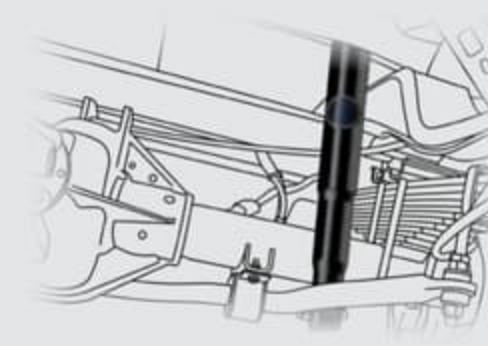
E-Z Drive™ Elite is a powerful blend of precise handling and renowned stability. Hands down, it's the best ride.  
**Experience E-Z Drive Elite for yourself—visit your local dealer and take a test drive.**



**COMPUTER-BALANCED DRIVESHAFT**  
 Ensures smooth and efficient power transfer to the wheels



**HEAVY-DUTY FRONT & REAR STABILIZER BARS**  
 A larger bar and polyurethane bushings, instead of rubber, transfer power faster for extra support, more stability and easier handling



**SACHS SHOCK ABSORBERS**  
 Large-diameter tube design pairs gas and hydraulics to resist heat and pressure while independently adjusting to changing road conditions

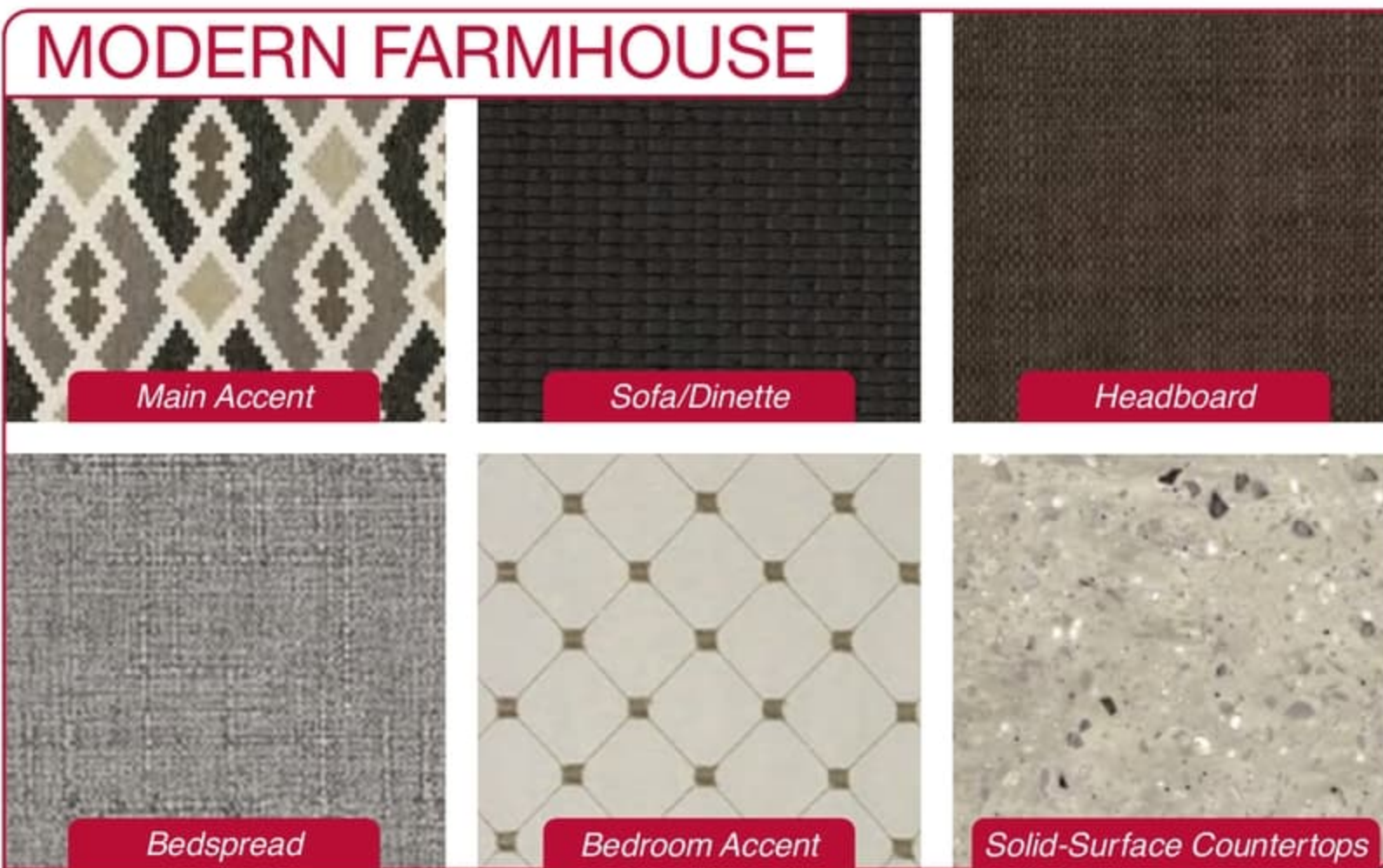


**VARIABLE-RATE FRONT & REAR JOUNCE BUMPERS**  
 Assist during extreme road occurrences to absorb impact and dampen excess road noise



**MICHELIN® 22.5" TIRES**  
 Commercial-grade tires built for long hauls and heavy loads







Basanite Full-Body Paint



Flint Full-Body Paint



Marble Full-Body Paint



Sapphire Full-Body Paint



Standard Graphics



Basanite Full-Body Paint



Flint Full-Body Paint



Marble Full-Body Paint



Sapphire Full-Body Paint



Standard Graphics

**CUSTOMER VALUE PACKAGE**

E-Z DRIVE™ ELITE: Computer-balanced driveshaft, variable-rate jounce bumpers, heavy-duty front and rear stabilizer bars, SACHS shocks, 22.5" Michelin® tires  
 Automatic hydraulic leveling jacks  
 Frameless windows  
 15,000-BTU A/C unit with heat pump and second 13,500-BTU A/C unit  
 Exterior entertainment center with outside speakers, LED TV mounted on swivel bracket and single-disc DVD/FM radio  
 Electric patio awning with LED lights  
 Slideout cover awnings  
 Onan® Marquis Gold Genset 5,500-watt generator with auto-gen start  
 1,200-watt inverter  
 50-amp electrical service  
 10-gal. gas/electric water heater  
 Sony® infotainment center with Apple CarPlay® and Android Auto™  
 Backup and side-view cameras  
 Removable driver/passenger cockpit table  
 LED-lit, solid-surface kitchen countertops with recessed stainless-steel sink and sink covers  
 LED living room TV  
 Day/night roller shades

**STANDARD CHASSIS EQUIPMENT**

Ford® F53 chassis  
 GVWR - 22,000-lb. (34B, 34G) 24,000-lb. (36A)  
 GCWR - 26,000-lb. (34B, 34G), 30,000-lb. (36A)  
 7.3L V-8 350 HP engine with 468 ft.-lb. torque  
 6-speed automatic TorqShift® transmission with overdrive and tow haul mode  
 210-amp alternator  
 G-rated highway tires - 235/80R22.5 (34B, 34G), 255/80R22.5 (36A)  
 Front and rear disc, 4-wheel anti-lock brakes  
 5,000-lb. rear hitch receiver with dual connector  
 7-pin plug  
 12V chassis battery  
 80-gal. fuel tank

**HEAT, A/C, POWER & WATER EQUIPMENT**

(2) 6V AGM (220Ah) house batteries on slideout tray  
 Solar prep  
 Heated holding tanks (12V pads)

Auto-ignition ducted furnace-35,000 BTU (34B, 34G), (2) 30,000 BTU (36A)  
 Furrion® electric fireplace (34B, 34G only)  
 16.5-gal. propane tank (56-lb.)  
 LP quick-connect hookup  
 Exterior utility center  
 Winterization drain system  
 Black tank flush  
 Outside shower  
 12V demand water pump  
 Water filtration system

**STANDARD EXTERIOR EQUIPMENT**

TuffShell™ vacuum-bond laminated roof, floor and sidewalls  
 Bead-foam insulation (R-24 max roof, R-9 max floor, R-8 max walls)  
 One-piece, seamless, fiberglass front and rear caps  
 One-piece, seamless, crowned fiberglass roof  
 Fiberglass exterior walls with vinyl graphics  
 Entrance door with industry's largest travel-view window  
 Electric-powered entrance step  
 Lockable pass-through storage compartments with slam latches  
 Roof ladder

**COCKPIT AMENITIES**

Power front privacy shade with manual side privacy shades  
 120-in. panoramic windshield  
 6-way power and swivel driver and passenger seats  
 Soft-touch, vinyl-wrapped automotive dash  
 A/C and cruise control  
 Tilt steering wheel  
 Auxiliary start

**STANDARD INTERIOR EQUIPMENT**

84-in. interior ceiling height with padded vinyl ceiling  
 High-intensity recessed LED ceiling lights  
 LED-lit hardwood fascia  
 Hardwood cabinet doors and drawers  
 Ball-bearing drawer guides  
 Entegra-exclusive, easy-operation legless dinette table  
 Blu-Ray™ player in living area  
 Prep for satellite dish  
 Cable TV hookup with RG-6 coax  
 Digital antenna with signal booster

21-cu. ft. residential refrigerator with ice and water in door  
 Furrion® all-in-one cooktop and oven  
 Residential-sized microwave  
 Decorative kitchen backsplash  
 Powered roof vent in kitchen with wall switch  
 Shower with decorative surround, glass door, skylight and light  
 Recessed stainless-steel bathroom sink  
 Porcelain toilet with foot flush  
 Powered roof vent in bathroom with wall switch  
 Walk-around King-sized bed with bedspread and nightstands  
 Under-bed storage (select models)  
 LED TV in bedroom  
 Large wardrobes  
 Bunks with industry-exclusive, 300-lb. capacity each (36A)

**STANDARD SAFETY EQUIPMENT**

2-point lap safety belts in all designated seating locations  
 Smoke alarm  
 Carbon monoxide detector  
 Third brake light  
 Porch light

**OPTIONS**

Combination washer/dryer  
 Power theater seating (N/A 34B) (STD 34G)  
 93-in. straight reclining sofa (34B)  
 12-cu. ft. gas/electric refrigerator  
 Drop-down overhead bunk in cab area with 750-lb. capacity

**CUSTOMER VALUE PACKAGE**

E-Z DRIVE™ ELITE: Computer-balanced driveshaft, variable-rate jounce bumpers, heavy-duty front and rear stabilizer bars, SACHS shocks, 22.5" Michelin® tires  
 Automatic hydraulic leveling jacks  
 Frameless windows  
 15,000-BTU A/C unit with heat pump and second 13,500-BTU A/C unit  
 Exterior entertainment center with outside speakers, LED TV mounted on swivel bracket and single-disc DVD/FM radio  
 Electric patio awning with LED lights  
 Slideout cover awnings  
 Onan® Marquis Gold Genset 5,500-watt generator with auto-gen start  
 1,200-watt inverter  
 50-amp electrical service  
 10-gal. gas/electric water heater  
 Sony® infotainment center with Apple CarPlay® and Android Auto™  
 Backup and side-view cameras  
 Removable driver/passenger cockpit table  
 LED-lit, solid-surface kitchen countertops with recessed stainless-steel sink and sink covers  
 LED living room TV  
 Day/night roller shades

**STANDARD CHASSIS EQUIPMENT**

Ford® F53 chassis  
 GVWR - 22,000-lb. (34B, 34G) 24,000-lb. (36A)  
 GCWR - 26,000-lb. (34B, 34G), 30,000-lb. (36A)  
 7.3L V-8 350 HP engine with 468 ft.-lb. torque  
 6-speed automatic TorqShift® transmission with overdrive and tow haul mode  
 210-amp alternator  
 G-rated highway tires - 235/80R22.5 (34B, 34G), 255/80R22.5 (36A)  
 Front and rear disc, 4-wheel anti-lock brakes  
 5,000-lb. rear hitch receiver with dual connector  
 7-pin plug  
 12V chassis battery  
 80-gal. fuel tank

**HEAT, A/C, POWER & WATER EQUIPMENT**

(2) 6V AGM (220Ah) house batteries on slideout tray  
 Solar prep  
 Heated holding tanks (12V pads)

Auto-ignition ducted furnace-35,000 BTU (34B, 34G), (2) 30,000 BTU (36A)  
 Furrion® electric fireplace (34B, 34G only)  
 16.5-gal. propane tank (56-lb.)  
 LP quick-connect hookup  
 Exterior utility center  
 Winterization drain system  
 Black tank flush  
 Outside shower  
 12V demand water pump  
 Water filtration system

**STANDARD EXTERIOR EQUIPMENT**

TuffShell™ vacuum-bond laminated roof, floor and sidewalls  
 Bead-foam insulation (R-24 max roof, R-9 max floor, R-8 max walls)  
 One-piece, seamless, fiberglass front and rear caps  
 One-piece, seamless, crowned fiberglass roof  
 Fiberglass exterior walls with vinyl graphics  
 Entrance door with industry's largest travel-view window  
 Electric-powered entrance step  
 Lockable pass-through storage compartments with slam latches  
 Roof ladder

**COCKPIT AMENITIES**

Power front privacy shade with manual side privacy shades  
 120-in. panoramic windshield  
 6-way power and swivel driver and passenger seats  
 Soft-touch, vinyl-wrapped automotive dash  
 A/C and cruise control  
 Tilt steering wheel  
 Auxiliary start

**STANDARD INTERIOR EQUIPMENT**

84-in. interior ceiling height with padded vinyl ceiling  
 High-intensity recessed LED ceiling lights  
 LED-lit hardwood fascia  
 Hardwood cabinet doors and drawers  
 Ball-bearing drawer guides  
 Entegra-exclusive, easy-operation legless dinette table  
 Blu-Ray™ player in living area  
 Prep for satellite dish  
 Cable TV hookup with RG-6 coax  
 Digital antenna with signal booster

21-cu. ft. residential refrigerator with ice and water in door  
 Furrion® all-in-one cooktop and oven  
 Residential-sized microwave  
 Decorative kitchen backsplash  
 Powered roof vent in kitchen with wall switch  
 Shower with decorative surround, glass door, skylight and light  
 Recessed stainless-steel bathroom sink  
 Porcelain toilet with foot flush  
 Powered roof vent in bathroom with wall switch  
 Walk-around King-sized bed with bedspread and nightstands  
 Under-bed storage (select models)  
 LED TV in bedroom  
 Large wardrobes  
 Bunks with industry-exclusive, 300-lb. capacity each (36A)

**STANDARD SAFETY EQUIPMENT**

2-point lap safety belts in all designated seating locations  
 Smoke alarm  
 Carbon monoxide detector  
 Third brake light  
 Porch light

**OPTIONS**

Combination washer/dryer  
 Power theater seating (N/A 34B) (STD 34G)  
 93-in. straight reclining sofa (34B)  
 12-cu. ft. gas/electric refrigerator  
 Drop-down overhead bunk in cab area with 750-lb. capacity



# EMBLEM



Equipped with



# EMBLEM



Equipped with





## MODERN LUXURY

Featuring a new Firefly Vegatouch command system and 8" Pioneer infotainment center, the Emblem is equipped for the long haul. Add to that, top-of-the-line features, exquisite finishes, and new full-body paint options for 2021, and you've got Entegra Coach's most luxurious gas-powered Class A motorhome. Plus, Emblem is equipped with the E-Z™ Drive Elite package that transforms time on the road into a big part of the adventure's excitement.



## MODERN LUXURY

Featuring a new Firefly Vegatouch command system and 8" Pioneer infotainment center, the Emblem is equipped for the long haul. Add to that, top-of-the-line features, exquisite finishes, and new full-body paint options for 2021, and you've got Entegra Coach's most luxurious gas-powered Class A motorhome. Plus, Emblem is equipped with the E-Z™ Drive Elite package that transforms time on the road into a big part of the adventure's excitement.

# EMBLEM



Kitchen featuring 21 cu. ft. residential refrigerator, convection microwave, Furion® stainless recessed gas cooktop with cast iron grill and optional built in oven



Bathroom featuring one-piece fiberglass shower with glass doors, LED-lit recessed stainless steel sink and ample storage space



Entertainment center featuring LED TV, Blu-Ray™ player and electric fireplace



Bedroom featuring walk-around king-sized bed, overhead cabinets, LED TV and mirrored wardrobes



Living area featuring expandable L-shaped sofa, hardwood cabinetry throughout and 6-way power and swivel driver and passenger seats



# EMBLEM



Kitchen featuring 21 cu. ft. residential refrigerator, convection microwave, Furrion® stainless recessed gas cooktop with cast iron grill and optional built in oven



Bathroom featuring one-piece fiberglass shower with glass doors, LED-lit recessed stainless steel sink and ample storage space



Entertainment center featuring LED TV, Blu-Ray™ player and electric fireplace



Bedroom featuring walk-around king-sized bed, overhead cabinets, LED TV and mirrored wardrobes



Living area featuring expandable L-shaped sofa, hardwood cabinetry throughout and 6-way power and swivel driver and passenger seats



# 2021 EMBLEM

# FLOORPLANS

The premium Entegra Coach Gas Class A coach, Emblem introduces a host of standard features and luxuries that can be hard to find in motorhomes under forty feet.

**36U**

OPTIONS  
C, D AND E



**36H**

OPTIONS  
A, B AND E



**36T**

OPTIONS  
B, D AND E



## OPTIONS



A



B



C



D



E

The premium Entegra Coach Gas Class A coach, Emblem introduces a host of standard features and luxuries that can be hard to find in motorhomes under forty feet.

**36U**

OPTIONS  
C, D AND E



**36H**

OPTIONS  
A, B AND E



**36T**

OPTIONS  
B, D AND E



## OPTIONS



A



B



C



D



E

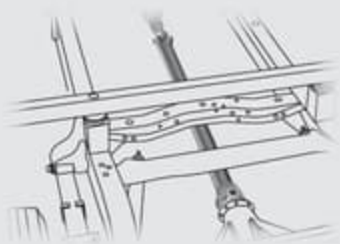


Floorplan	GVWR (lbs.)	GCWR (lbs.)	Wheel Base	Exterior Length	Exterior Height w/ A/C	Exterior Width	Interior Height	Fresh Water Capacity (gal.)	Gray Waste Water Capacity (gal.)	Black Waste Water Capacity (gal.)	Propane (gal.)
36U	24,000	30,000	252"	38' 2"	12' 10"	101"	84"	72	50	31/41	24.5
36H	24,000	30,000	252"	38' 8"	12' 10"	101"	84"	72	40/50	40	24.5
36T	24,000	30,000	252"	38' 8"	12' 10"	101"	84"	72	50/41	31/41	24.5



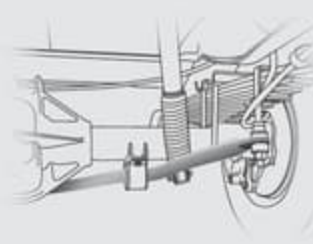
E-Z Drive™ Elite is a powerful blend of precise handling and renowned stability. Hands down, it's the best ride.

**Experience E-Z Drive Elite for yourself—visit your local dealer and take a test drive.**



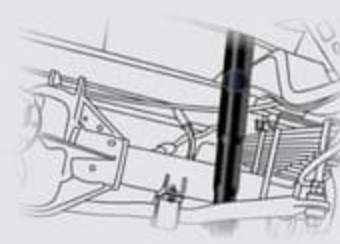
#### COMPUTER-BALANCED DRIVESHAFT

Ensures smooth and efficient power transfer to the wheels



#### HEAVY-DUTY FRONT & REAR STABILIZER BARS

A larger bar and polyurethane bushings, instead of rubber, transfer power faster for extra support, more stability and easier handling



#### SACHS SHOCK ABSORBERS

Large-diameter tube design pairs gas and hydraulics to resist heat and pressure while independently adjusting to changing road conditions



#### VARIABLE-RATE FRONT & REAR JOUNCE BUMPERS

Assist during extreme road occurrences to absorb impact and dampen excess road noise



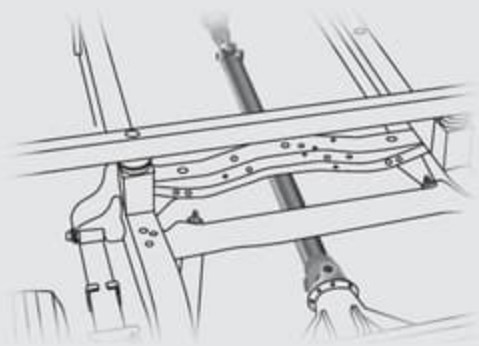
#### MICHELIN® 22.5" TIRES

Commercial-grade tires built for long hauls and heavy loads

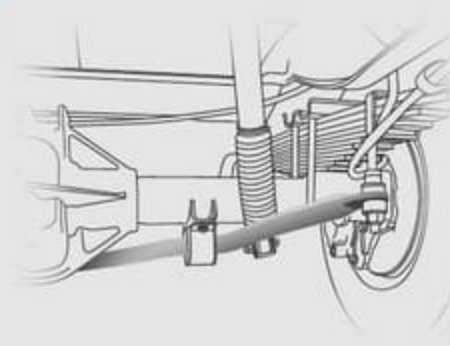
Floorplan	GVWR (lbs.)	GCWR (lbs.)	Wheel Base	Exterior Length	Exterior Height w/ A/C	Exterior Width	Interior Height	Fresh Water Capacity (gal.)	Gray Waste Water Capacity (gal.)	Black Waste Water Capacity (gal.)	Propane (gal.)
36U	24,000	30,000	252"	38' 2"	12' 10"	101"	84"	72	50	31/41	24.5
36H	24,000	30,000	252"	38' 8"	12' 10"	101"	84"	72	40/50	40	24.5
36T	24,000	30,000	252"	38' 8"	12' 10"	101"	84"	72	50/41	31/41	24.5



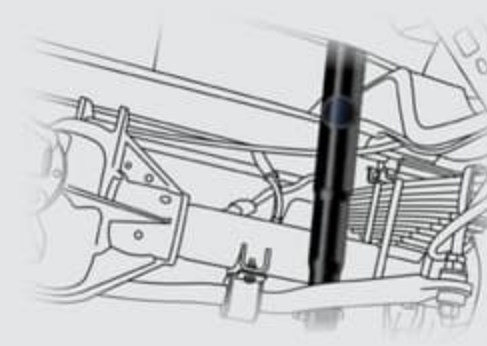
E-Z Drive™ Elite is a powerful blend of precise handling and renowned stability. Hands down, it's the best ride.  
**Experience E-Z Drive Elite for yourself—visit your local dealer and take a test drive.**



**COMPUTER-BALANCED DRIVESHAFT**  
 Ensures smooth and efficient power transfer to the wheels



**HEAVY-DUTY FRONT & REAR STABILIZER BARS**  
 A larger bar and polyurethane bushings, instead of rubber, transfer power faster for extra support, more stability and easier handling



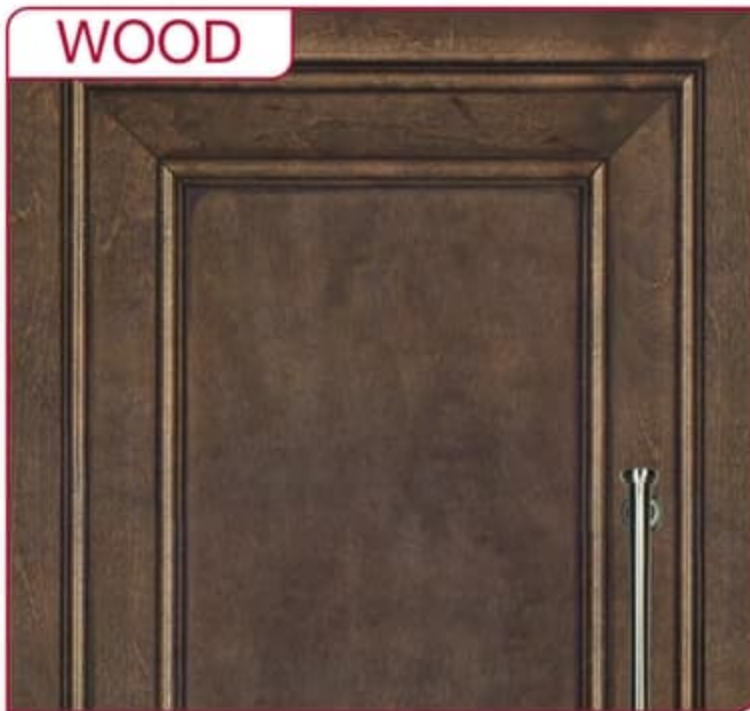
**SACHS SHOCK ABSORBERS**  
 Large-diameter tube design pairs gas and hydraulics to resist heat and pressure while independently adjusting to changing road conditions

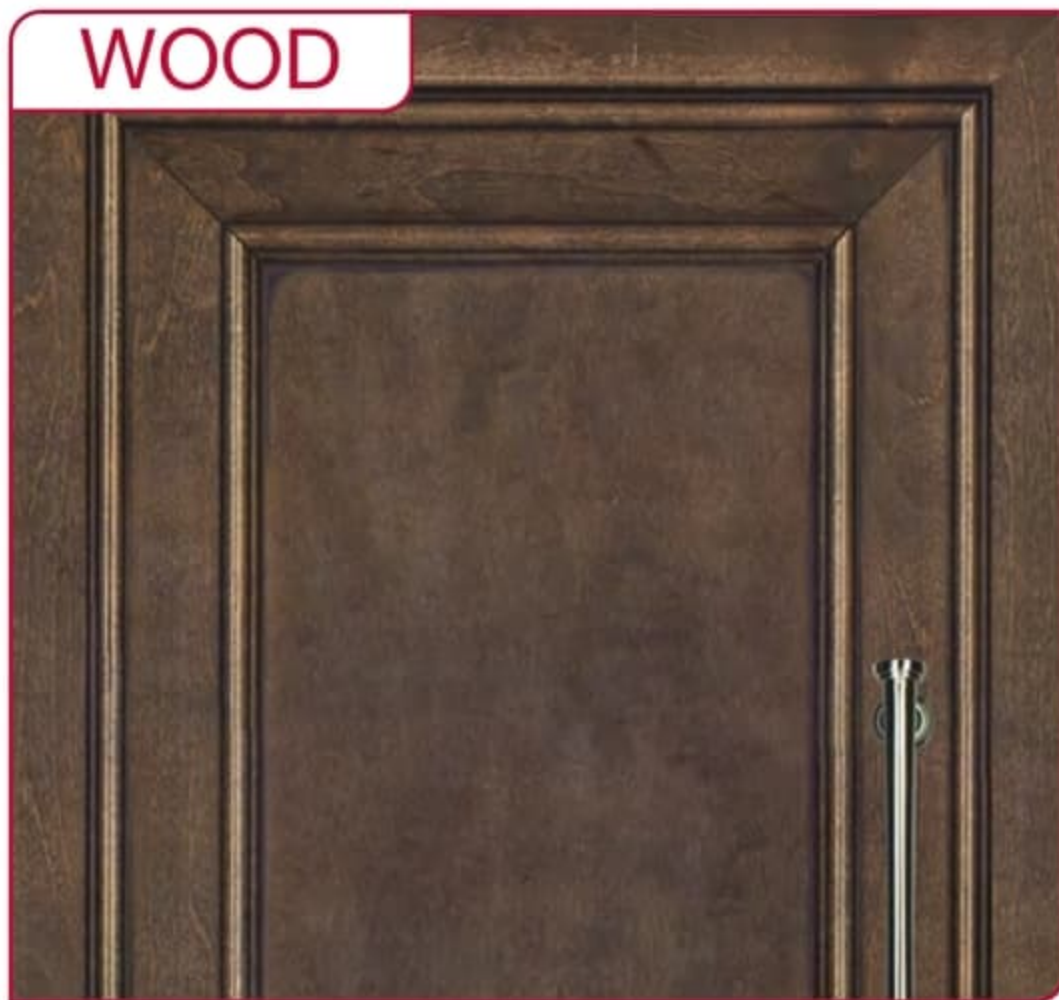


**VARIABLE-RATE FRONT & REAR JOUNCE BUMPERS**  
 Assist during extreme road occurrences to absorb impact and dampen excess road noise



**MICHELIN® 22.5" TIRES**  
 Commercial-grade tires built for long hauls and heavy loads







Black Walnut Full-Body Paint



Juniper Full-Body Paint



Cloudberry Full-Body Paint



Salak Full-Body Paint





Black Walnut Full-Body Paint



Juniper Full-Body Paint



Cloudberry Full-Body Paint



Salak Full-Body Paint



**CUSTOMER VALUE PACKAGE**

E-Z DRIVE™ ELITE: Computer-balanced driveshaft, variable-rate front and rear jounce bumpers, heavy-duty front and rear stabilizer bars, SACHS shocks, 22.5" Michelin® tires  
 Automatic hydraulic leveling jacks  
 Frameless windows  
 15,000-BTU A/C unit with heat pump and second 13,500-BTU A/C unit  
 Exterior entertainment center with outside speakers, LED TV mounted on swivel bracket and single-disc DVD/FM radio  
 Electric patio awning with LED lights  
 Slideout cover awnings  
 Onan® Marquis Gold Genset 5,500-watt generator with auto-gen start  
 2,000-watt inverter  
 50-amp electrical service  
 10-gal. gas/electric water heater  
 Pioneer® 8" infotainment center with Apple CarPlay® and Android Auto™  
 Backup and side-view cameras  
 Removable driver/passenger cockpit table  
 LED-lit, solid-surface kitchen countertops with recessed stainless-steel sink and sink covers  
 LED living room TV  
 Day/night roller shades

**STANDARD CHASSIS EQUIPMENT**

Ford® F53 chassis  
 GVWR - 16,000-lb. (26X), 18,000-lb. (27A, 29F, 29S, 31V)  
 GCWR - 23,000-lb.  
 7.3L V-8 350 HP engine with 468 ft.-lb. torque  
 6-speed automatic TorqShift® transmission with overdrive and tow haul mode  
 210-amp alternator  
 G-rated highway tires-245/70R19.5  
 Front and rear disc, 4-wheel anti-lock brakes  
 5,000-lb. rear hitch receiver with dual connector  
 7-pin plug  
 12V chassis battery  
 80-gal. fuel tank

**HEAT, A/C, POWER & WATER EQUIPMENT**

(2) 6V AGM (220Ah) house batteries on slideout tray  
 Solar prep  
 35,000-BTU auto-ignition ducted furnace

Furrion® electric fireplace  
 24.5-gal. propane tank (83-lb.)  
 LP quick-connect hookup  
 Thetford® Sani-Con® Turbo Macerator system  
 Exterior utility center  
 Winterization drain system  
 Black tank flush  
 Outside shower  
 12V demand water pump  
 Water filtration system

**STANDARD EXTERIOR EQUIPMENT**

TuffShell™ vacuum-bond laminated roof, floor and sidewalls  
 Bead-foam insulation (R-24 max roof, R-9 max floor, R-8 max walls)  
 One-piece, seamless, crowned fiberglass roof  
 One-piece, seamless, fiberglass front and rear caps  
 Premium Sikkens full-body paint  
 Entrance door with industry's largest travel-view window  
 Electric-powered entrance step  
 Lockable pass-through storage compartments with slam latches  
 Roof ladder

**COCKPIT AMENITIES**

Remote keyless entry  
 Power front privacy shade with manual side privacy shades  
 120-in. panoramic windshield  
 6-way power and swivel driver and passenger seats  
 Soft-touch, vinyl-wrapped automotive dash  
 A/C and cruise control  
 Tilt steering wheel  
 Auxiliary start

**STANDARD INTERIOR EQUIPMENT**

Firefly Multiplex system  
 84-in. interior ceiling height with padded vinyl ceiling  
 High-intensity recessed LED ceiling lights  
 LED-lit hardwood fascia  
 Hardwood cabinet doors and drawers  
 Deluxe hidden cabinet hinges  
 Ball-bearing drawer guides  
 Entegra-exclusive, easy-operation legless dinette table  
 Blu-Ray™ player in living area

Prep for satellite dish  
 Cable TV hookup with RG-6 coax  
 Digital antenna with signal booster  
 21-cu. ft. residential refrigerator with ice and water in door  
 Furrion® stainless, recessed gas cooktop with cast iron grill  
 Residential-sized convection microwave oven  
 Decorative kitchen backsplash  
 Powered roof vent in kitchen with wall switch  
 One-piece, fiberglass shower with glass door, skylight and light  
 Recessed, LED-lit, stainless-steel bathroom sink  
 Porcelain toilet with foot flush  
 Powered roof vent in bathroom with wall switch  
 Walk-around, King-sized bed with bedspread and nightstands  
 Under-bed storage (select models)  
 LED TV in bedroom  
 Large wardrobes  
 Bunks with industry-exclusive, 300-lb. capacity each

**STANDARD SAFETY EQUIPMENT**

2-point lap safety belts in all designated seating locations  
 Smoke alarm  
 Carbon monoxide detector  
 Third brake light  
 Porch light

**OPTIONS**

Drop-down overhead bunk in cab area with 750-lb. capacity  
 Combination washer/dryer (36T, 36U)  
 Stackable washer/dryer (36H)  
 Power theater seating (36T, 36H)  
 Built-in, stainless-steel oven  
 12-cu. ft. gas/electric refrigerator  
 Freestanding table with 4 chairs (36U)  
 120-in. straight reclining sofa (36H)  
 93-in. straight reclining sofa (36U)

**CUSTOMER VALUE PACKAGE**

E-Z DRIVE™ ELITE: Computer-balanced driveshaft, variable-rate front and rear jounce bumpers, heavy-duty front and rear stabilizer bars, SACHS shocks, 22.5" Michelin® tires  
Automatic hydraulic leveling jacks  
Frameless windows  
15,000-BTU A/C unit with heat pump and second 13,500-BTU A/C unit  
Exterior entertainment center with outside speakers, LED TV mounted on swivel bracket and single-disc DVD/FM radio  
Electric patio awning with LED lights  
Slideout cover awnings  
Onan® Marquis Gold Genset 5,500-watt generator with auto-gen start  
2,000-watt inverter  
50-amp electrical service  
10-gal. gas/electric water heater  
Pioneer® 8" infotainment center with Apple CarPlay® and Android Auto™  
Backup and side-view cameras  
Removable driver/passenger cockpit table  
LED-lit, solid-surface kitchen countertops with recessed stainless-steel sink and sink covers  
LED living room TV  
Day/night roller shades

**STANDARD CHASSIS EQUIPMENT**

Ford® F53 chassis  
GVWR - 16,000-lb. (26X), 18,000-lb. (27A, 29F, 29S, 31V)  
GCWR - 23,000-lb.  
7.3L V-8 350 HP engine with 468 ft.-lb. torque  
6-speed automatic TorqShift® transmission with overdrive and tow haul mode  
210-amp alternator  
G-rated highway tires-245/70R19.5  
Front and rear disc, 4-wheel anti-lock brakes  
5,000-lb. rear hitch receiver with dual connector  
7-pin plug  
12V chassis battery  
80-gal. fuel tank

**HEAT, A/C, POWER & WATER EQUIPMENT**

(2) 6V AGM (220Ah) house batteries on slideout tray  
Solar prep  
35,000-BTU auto-ignition ducted furnace

Furrion® electric fireplace  
24.5-gal. propane tank (83-lb.)  
LP quick-connect hookup  
Thetford® Sani-Con® Turbo Macerator system  
Exterior utility center  
Winterization drain system  
Black tank flush  
Outside shower  
12V demand water pump  
Water filtration system

**STANDARD EXTERIOR EQUIPMENT**

TuffShell™ vacuum-bond laminated roof, floor and sidewalls  
Bead-foam insulation (R-24 max roof, R-9 max floor, R-8 max walls)  
One-piece, seamless, crowned fiberglass roof  
One-piece, seamless, fiberglass front and rear caps  
Premium Sikkens full-body paint  
Entrance door with industry's largest travel-view window  
Electric-powered entrance step  
Lockable pass-through storage compartments with slam latches  
Roof ladder

**COCKPIT AMENITIES**

Remote keyless entry  
Power front privacy shade with manual side privacy shades  
120-in. panoramic windshield  
6-way power and swivel driver and passenger seats  
Soft-touch, vinyl-wrapped automotive dash  
A/C and cruise control  
Tilt steering wheel  
Auxiliary start

**STANDARD INTERIOR EQUIPMENT**

Firefly Multiplex system  
84-in. interior ceiling height with padded vinyl ceiling  
High-intensity recessed LED ceiling lights  
LED-lit hardwood fascia  
Hardwood cabinet doors and drawers  
Deluxe hidden cabinet hinges  
Ball-bearing drawer guides  
Entegra-exclusive, easy-operation legless dinette table  
Blu-Ray™ player in living area

Prep for satellite dish  
Cable TV hookup with RG-6 coax  
Digital antenna with signal booster  
21-cu. ft. residential refrigerator with ice and water in door  
Furrion® stainless, recessed gas cooktop with cast iron grill  
Residential-sized convection microwave oven  
Decorative kitchen backsplash  
Powered roof vent in kitchen with wall switch  
One-piece, fiberglass shower with glass door, skylight and light  
Recessed, LED-lit, stainless-steel bathroom sink  
Porcelain toilet with foot flush  
Powered roof vent in bathroom with wall switch  
Walk-around, King-sized bed with bedspread and nightstands  
Under-bed storage (select models)  
LED TV in bedroom  
Large wardrobes  
Bunks with industry-exclusive, 300-lb. capacity each

**STANDARD SAFETY EQUIPMENT**

2-point lap safety belts in all designated seating locations  
Smoke alarm  
Carbon monoxide detector  
Third brake light  
Porch light

**OPTIONS**

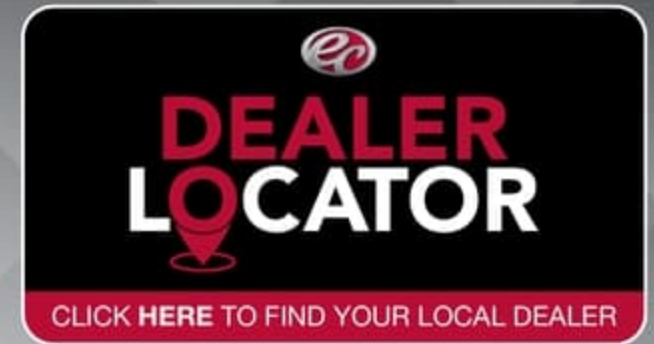
Drop-down overhead bunk in cab area with 750-lb. capacity  
Combination washer/dryer (36T, 36U)  
Stackable washer/dryer (36H)  
Power theater seating (36T, 36H)  
Built-in, stainless-steel oven  
12-cu. ft. gas/electric refrigerator  
Freestanding table with 4 chairs (36U)  
120-in. straight reclining sofa (36H)  
93-in. straight reclining sofa (36U)



**2+3**  
**YEAR | YEAR**  
**WARRANTY**

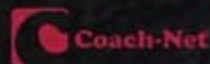
## NO ONE OFFERS A BETTER WARRANTY

At Entegra Coach, we build our RVs to handle every adventure, then back them with our industry-leading 2+3 limited warranty. Our 2-year limited warranty has you covered for 2 camping seasons. That's 730 days. In addition, our 3-year structural limited warranty has you covered for 3 camping seasons or 1,095 days. You won't find a better limited warranty in the business, because the only strings we attach are those that deliver the ultimate in reliability. For a copy of our 2-year limited + 3-year structural limited warranty with complete terms and conditions, please contact your local Entegra Coach dealer.



**FREE**

**ROADSIDE ASSISTANCE**



A year's access to Coach-Net™

The country's largest RV emergency road service.

**Gross Vehicle Weight Rating (GVWR):** The maximum permissible weight of the motorcoach, including the Unloaded Vehicle Weight (UVW) plus passengers, personal items, all cargo, fluids, options and dealer-installed accessories. The GVWR is equal to or greater than the sum of the UVW and the Cargo Carrying Capacity. **Gross Axle Weight Rating (GAWR):** The maximum allowable weight each axle assembly is designed to carry, as measured at the tires, therefore including the weight of the axle assembly itself. **Gross Combined Weight Rating (GCWR):** The maximum allowable combined weight of the motorcoach used as a tow vehicle and the attached towed vehicle.

**Entegra Coach, Inc. | P.O. Box 460 | Middlebury, IN 46540** See dealer for further information and prices. All information in this brochure and on [www.entegracoach.com](http://www.entegracoach.com) is the latest available at the time of publication approval. Entegra Coach reserves the right to make changes and to discontinue models without notice or obligation. Photography may show optional equipment or props used for decoration purposes only. RVs built for sale in Canada may differ to conform to Canadian codes. ENTENRA COACH, JAYCO and the JAYCO BIRD IN FLIGHT are registered trademarks of Jayco, Inc. © 2020 Entegra Coach, Inc.




#WeAreEntegra

**2+3**  
**YEAR LIMITED | YEAR STRUCTURAL**  
**WARRANTY**

## NO ONE OFFERS A BETTER WARRANTY

At Entegra Coach, we build our RVs to handle every adventure, then back them with our industry-leading 2+3 limited warranty. Our 2-year limited warranty has you covered for 2 camping seasons. That's 730 days. In addition, our 3-year structural limited warranty has you covered for 3 camping seasons or 1,095 days. You won't find a better limited warranty in the business, because the only strings we attach are those that deliver the ultimate in reliability. For a copy of our 2-year limited + 3-year structural limited warranty with complete terms and conditions, please contact your local Entegra Coach dealer.



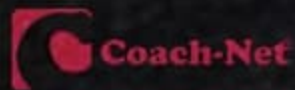
**DEALER  
LOCATOR**

CLICK HERE TO FIND YOUR LOCAL DEALER



**FREE**

**ROADSIDE  
ASSISTANCE**



A year's access to Coach-Net™

The country's largest RV emergency road service.

**Gross Vehicle Weight Rating (GVWR):** The maximum permissible weight of the motorcoach, including the Unloaded Vehicle Weight (UVW) plus passengers, personal items, all cargo, fluids, options and dealer-installed accessories. The GVWR is equal to or greater than the sum of the UVW and the Cargo Carrying Capacity. **Gross Axle Weight Rating (GAWR):** The maximum allowable weight each axle assembly is designed to carry, as measured at the tires, therefore including the weight of the axle assembly itself. **Gross Combined Weight Rating (GCWR):** The maximum allowable combined weight of the motorcoach used as a tow vehicle and the attached towed vehicle.

**Entegra Coach, Inc. | P.O. Box 460 | Middlebury, IN 46540** See dealer for further information and prices. All information in this brochure and on [www.entegracoach.com](http://www.entegracoach.com) is the latest available at the time of publication approval. Entegra Coach reserves the right to make changes and to discontinue models without notice or obligation. Photography may show optional equipment or props used for decoration purposes only. RVs built for sale in Canada may differ to conform to Canadian codes. ENTEGRA COACH, JAYCO and the JAYCO BIRD IN FLIGHT are registered trademarks of Jayco, Inc. © 2020 Entegra Coach, Inc.



#WeAreEntegra